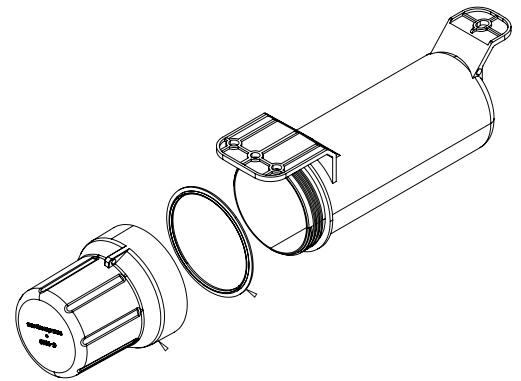
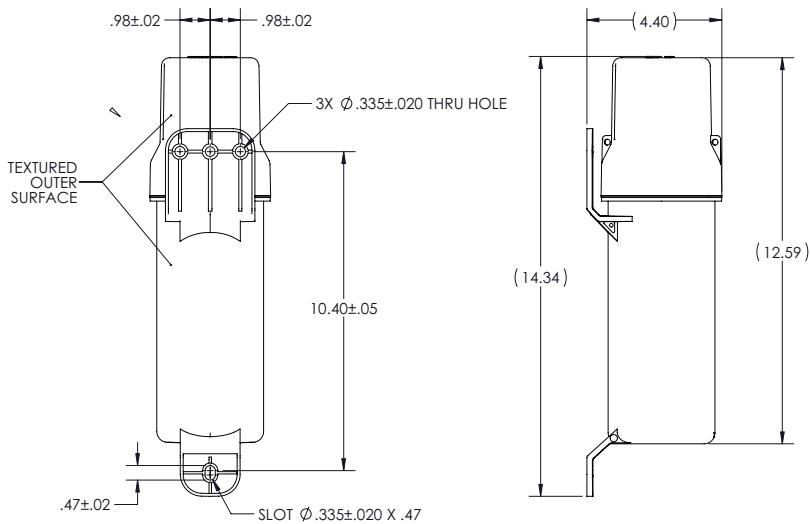


# DOCUMENT CANISTER



ITEM NO.	PART NUMBER	DESCRIPTION	MATERIAL
1	C-1020	Document Canister	UV Resistant HDPE, Black



- Internal dimensions approximately 3.0" diameter by 12.3" long
- Ideal for A4 letter documents or to store tools
- 4 mounting holes
- Water and dust tight
- Recommended fastener: 5/16-18 Bolt
- Ideal for Ag Equipment, Construction Equipment, ATV's