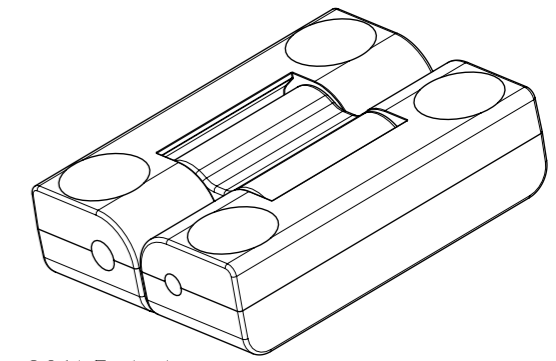
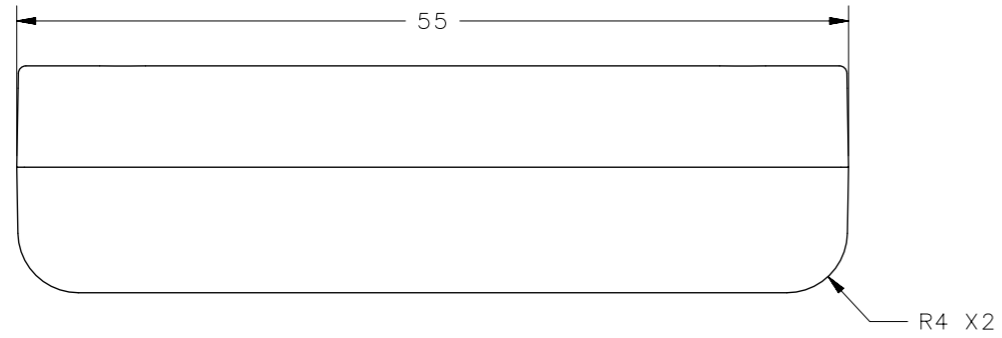
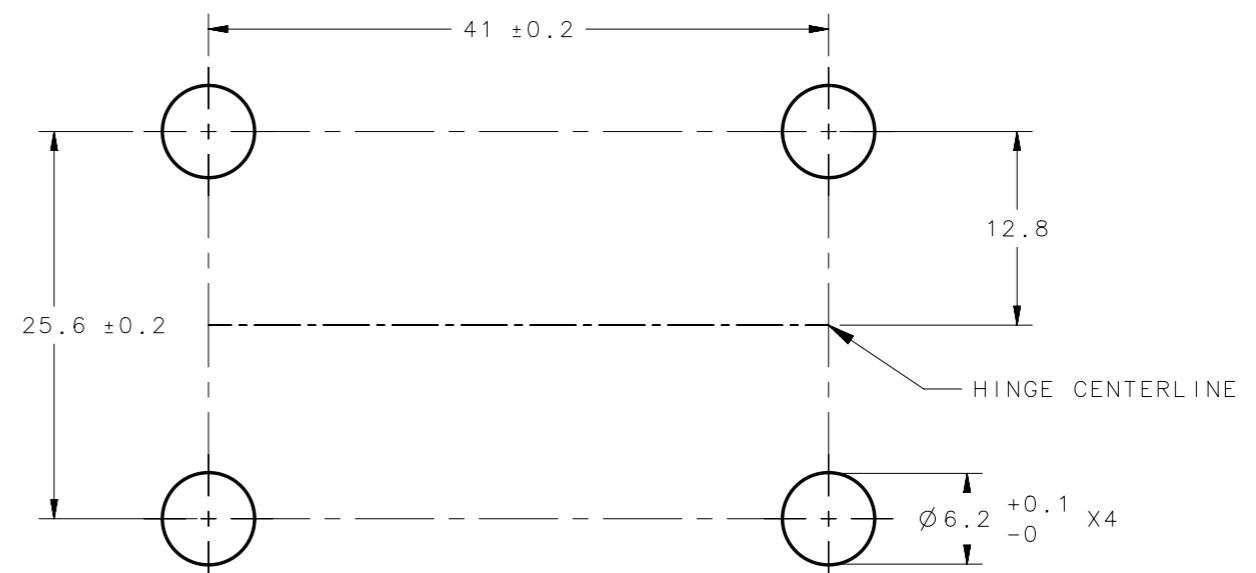
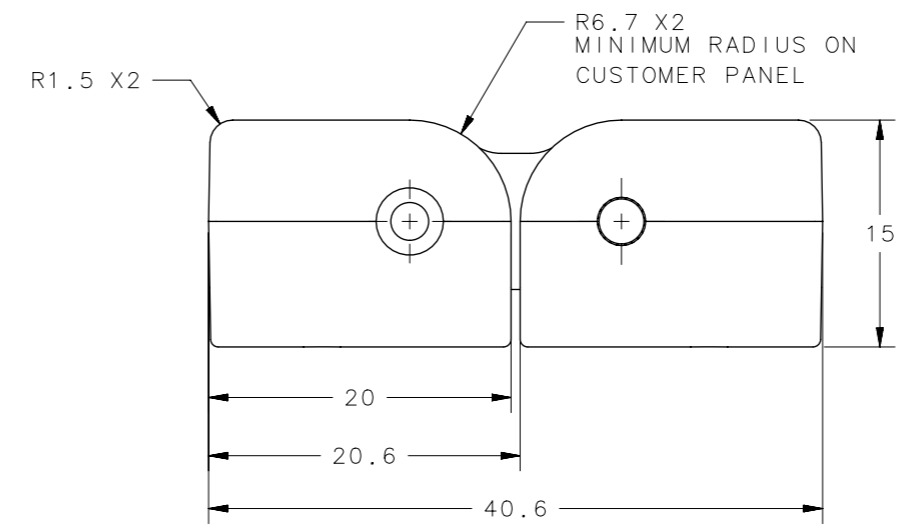
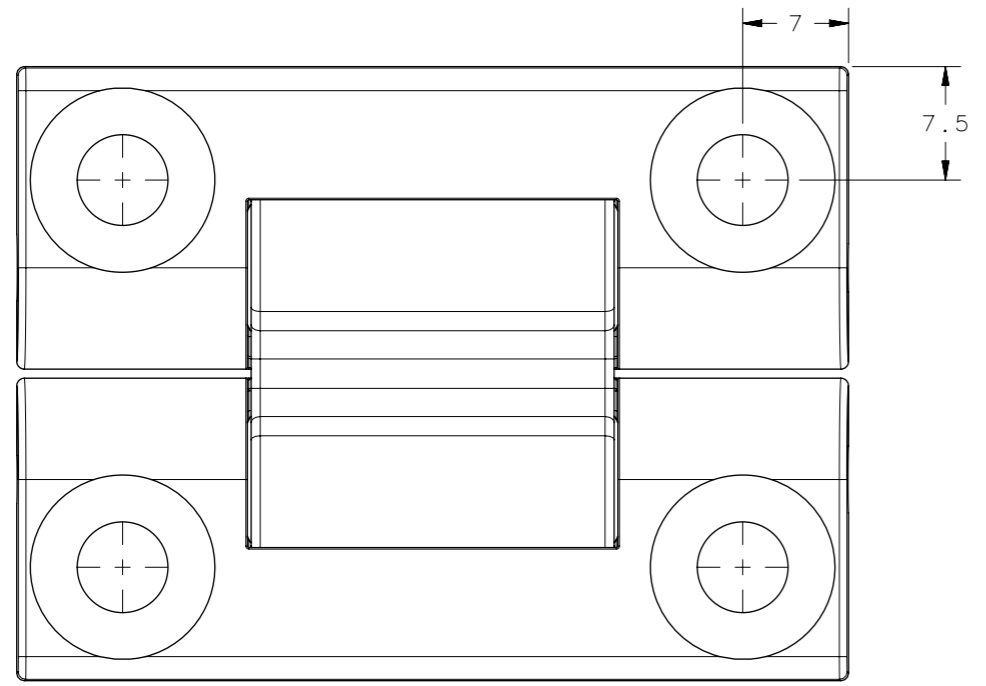


REVISION HISTORY			
REV	DATE	BY	DESCRIPTION
C	08OCT2020	JD/MJS	PRN:P2020-1881



SCALE 1:1



## PANEL PREPARATION

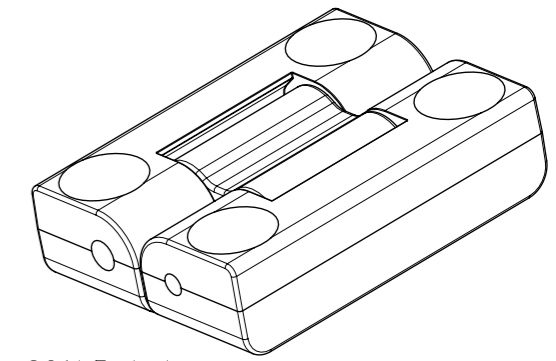
AH-2E-20XXA2-70	ASSEMBLY - COATED	SILVER
AH-2E-20XXA2-50	ASSEMBLY - COATED	BLACK
AH-2E-20XXA2-63	ASSEMBLY - AS CAST	NATURAL
PART NUMBER	TYPE OF COMPONENT	FINISH
AH-2E-2024A2-XX	2.2 N-m (19.4 in-lbs)	1.6 N-m (14 in-lbs) REF
AH-2E-2020A2-XX	2 N-m (17.7 in-lbs)	1.5 N-m (13.2 in-lbs) REF
AH-2E-2016A2-XX	1.8 N-m (16.0 in-lbs)	1.3 N-m (11.5 in-lbs) REF
AH-2E-2012A2-XX	1.5 N-m (13.2 in-lbs)	1.1 N-m (9.7 in-lbs) REF
AH-2E-2000A2-XX	FREE OPERATING	
PART NUMBER	FORWARD TORQUE	REVERSE TORQUE

NOTES:

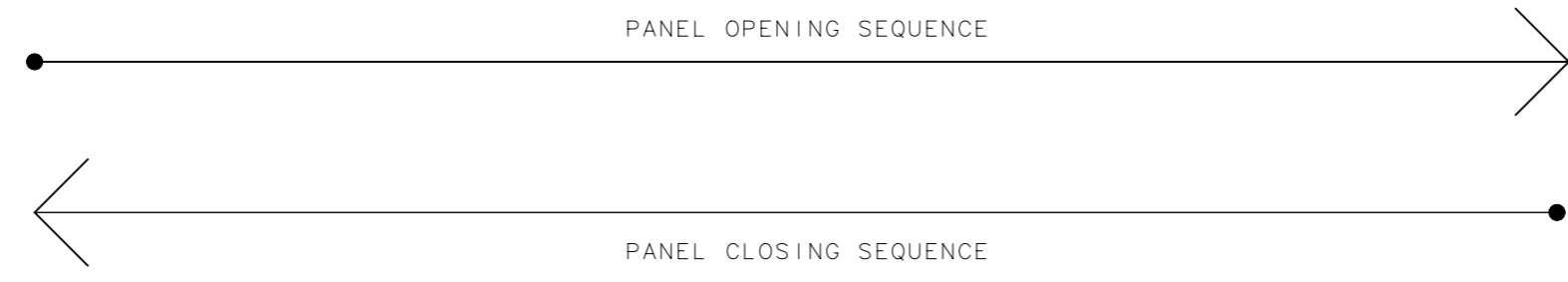
- A. PERFORMANCE TORQUE TOLERANCE ±20%.
- B. DESIGNED TO ACCEPT M6 OR No. 12 SCREW OR EQUIVALENT.
- C. MATERIAL:  
 HINGE LEAVES: DIE CAST ALUMINUM, SEE TABLE FOR FINISH,  
 SHAFT & PIN: STEEL,  
 O-RINGS: BUNA-N RUBBER,  
 BEARINGS: DIE CAST ZINC.

CPB NUMBER 2016-1086	THIRD ANGLE PROJECTION	 CONNECT · CREATE · INNOVATE	
	MILLIMETERS [IN]		
	TOLERANCES UNLESS OTHERWISE NOTED	DESCRIPTION 20mm BIFOLD HINGE & CONTROLLED MOTION DEVICE	
	ALL DIMENSIONS WITHOUT TOLERANCES ARE FOR REFERENCE ONLY.	SIZE A3	SYSTEM NX
PROPRIETARY ITEM <small>EXCEPT FOR USES EXPRESSLY GRANTED IN WRITING, INFORMATION DISCLOSED HEREON IS CONFIDENTIAL AND ALL RIGHTS, PATENT AND OTHERWISE, ARE RESERVED BY SOUTHCO, INC.</small>	PER ASME Y14.5M-1994	DWG NO. J-AH-2E-20	DATE 10OCT2018
		DRAWN BY JD	SCALE 2:1
			SHEET 1 OF 2

REVISION HISTORY			
REV	DATE	BY	DESCRIPTION
C	08OCT2020	JD/MJS	PRN:P2020-1881

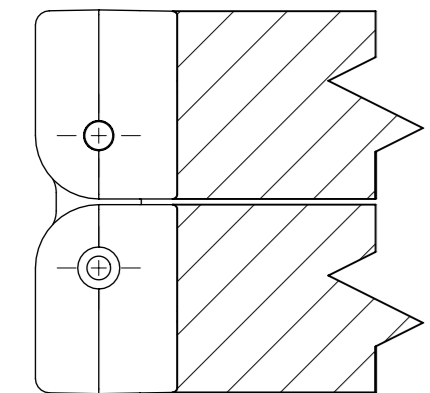


SCALE 1:1



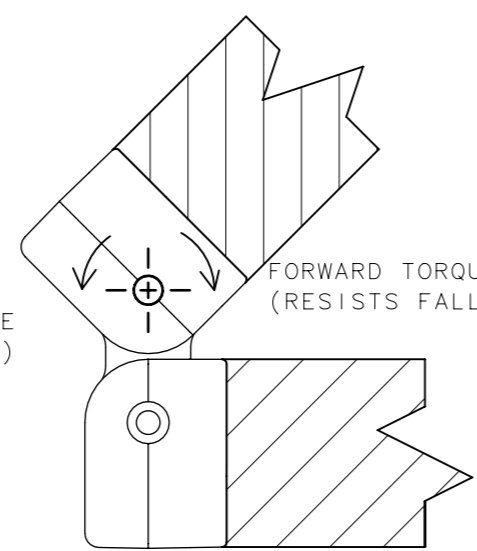
PANEL OPENING SEQUENCE

PANEL CLOSING SEQUENCE



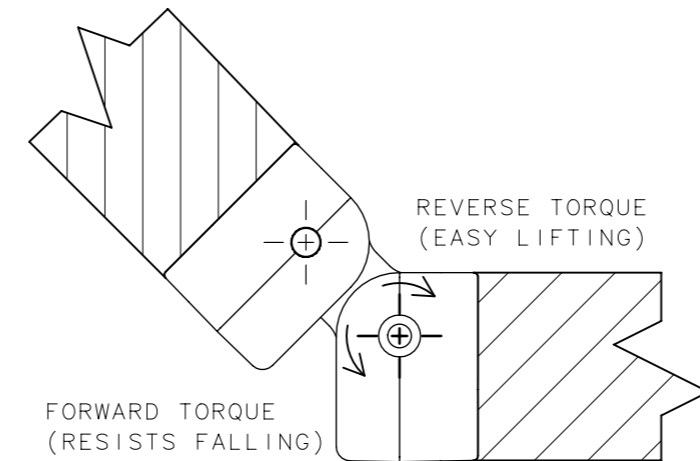
PANEL CLOSED

REVERSE TORQUE  
(EASY LIFTING)



PANEL 45°

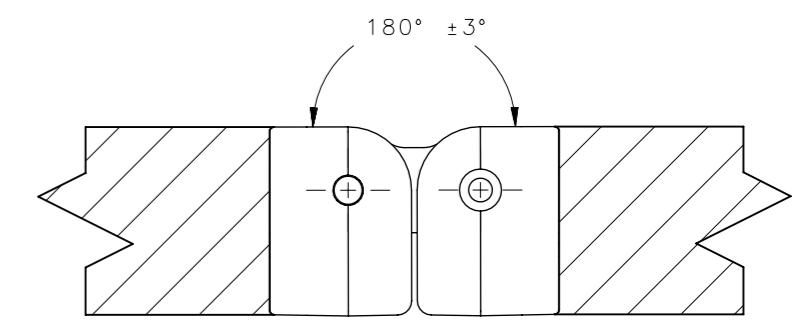
FORWARD TORQUE  
(RESISTS FALLING)



PANEL 135°

REVERSE TORQUE  
(EASY LIFTING)

FORWARD TORQUE  
(RESISTS FALLING)



PANEL OPEN

180° ±3°

NOTES:

- A. PERFORMANCE TORQUE TOLERANCE ±20%.
- B. DESIGNED TO ACCEPT M6 OR No. 12 SCREW OR EQUIVALENT.
- C. MATERIAL:  
 HINGE LEAVES: DIE CAST ALUMINUM, SEE TABLE FOR FINISH,  
 SHAFT & PIN: STEEL,  
 O-RINGS: BUNA-N RUBBER,  
 BEARINGS: DIE CAST ZINC.

CPB NUMBER 2016-1086	THIRD ANGLE PROJECTION	<b>southco</b> <sup>®</sup> CONNECT • CREATE • INNOVATE	
	MILLIMETERS [IN]		
	TOLERANCES UNLESS OTHERWISE NOTED	DESCRIPTION 20mm BIFOLD HINGE & CONTROLLED MOTION DEVICE	
	ALL DIMENSIONS WITHOUT TOLERANCES ARE FOR REFERENCE ONLY.	SIZE A3	SYSTEM NX
PROPRIETARY ITEM <small>EXCEPT FOR USES EXPRESSLY GRANTED IN WRITING, INFORMATION DISCLOSED HEREON IS CONFIDENTIAL AND ALL RIGHTS, PATENT AND OTHERWISE, ARE RESERVED BY SOUTHCO, INC.</small>	PER ASME Y14.5M-1994	DWG NO. J-AH-2E-20	DATE 10OCT2018
		DRAWN BY JD	SCALE 2:1
			SHEET 2 OF 2