

MONITOR MOUNT TILT MOUNT

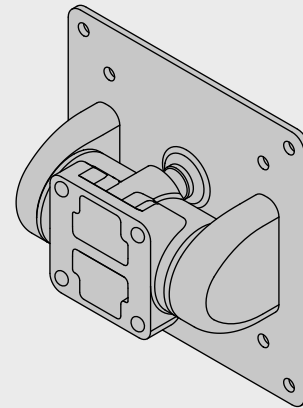
CAD
POWERED

southco[®]
AUTHORIZED DISTRIBUTOR

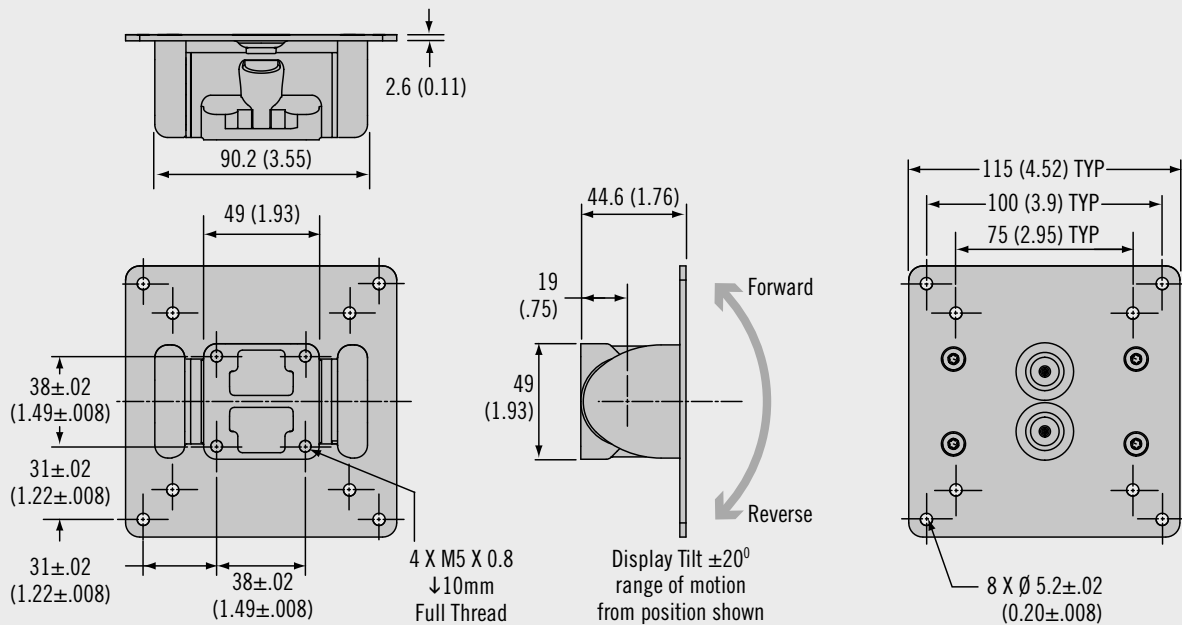
AV SERIES DYNAMIC MOUNT TILT



- Intuitive grab and move operation enhances the user experience.
- No knobs or tools required to reposition the display.
- Precise control of operating effort ensures ideal "feel."
- Holds securely, even in applications with dynamic loading.
- Consistent repeatable operation.
- Fully enclosed for optimum cleanability.



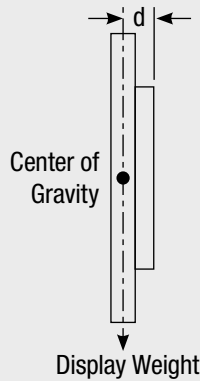
Product Detail



Specification and Selection

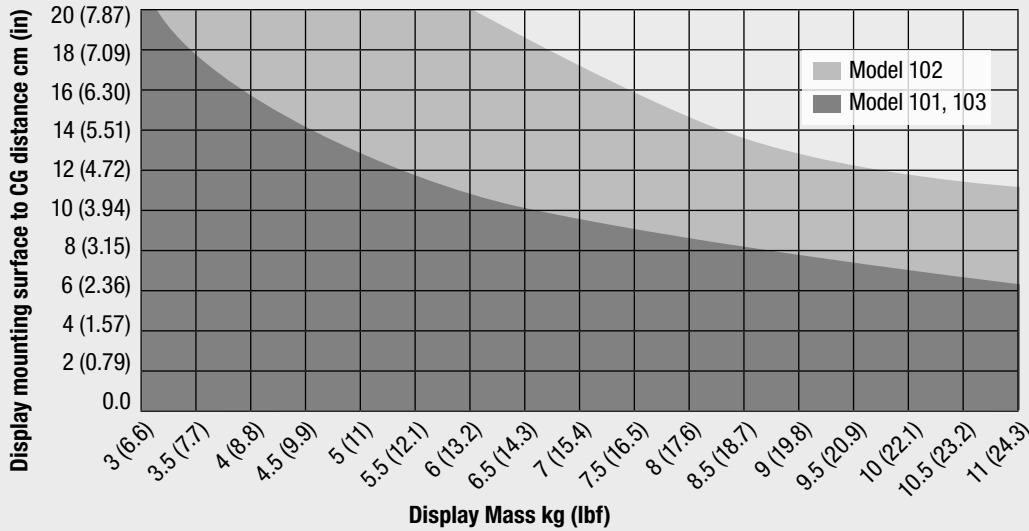
Step 1

Determine display weight and distance (d) from mounting surface to center of gravity.



Step 2

Use chart below to select model (101, 102 or 103).



Step 3

Complete part number by selecting model and color options below.

AV - D30 - 5T **S** - **F**

MODEL S	TILT TORQUE N•M (IN LBF)	
	REVERSE	FORWARD
101	7.9 (70)	2.2 (19.5)
102	15.4 (136)	2.26 (20)
103	8.6 (76)	6 (53)

F	COLOR
50	Black
76	White

For complete installation and operation instructions please consult the product manual included in every package.

Material and Finish

Aluminum alloy, powder coated

Performance Details

Cycle performance: 20,000 cycles within ± 20% of static torque specification

Max. dynamic working load:
Model 101 and 103: 70N (15.7lbf)
Model 102: 100N (22.5lbf)
Average ultimate load: 1845N (414.8lbf)

Part Number

See table

Part Number Example

AV-D30-5T101-50 = Dynamic tilt mount, Model 101, black

MONITOR MOUNT TILT & SWIVEL MOUNT

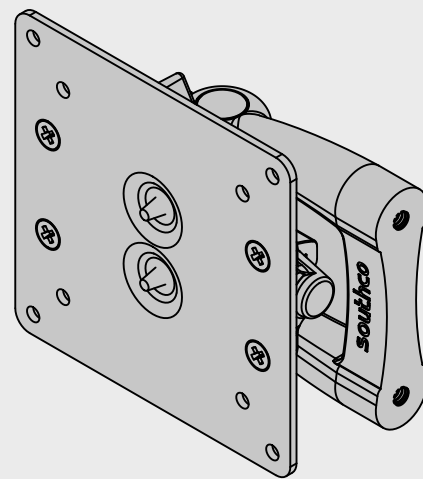
CAD
POWERED

southco[®]
AUTHORIZED DISTRIBUTOR

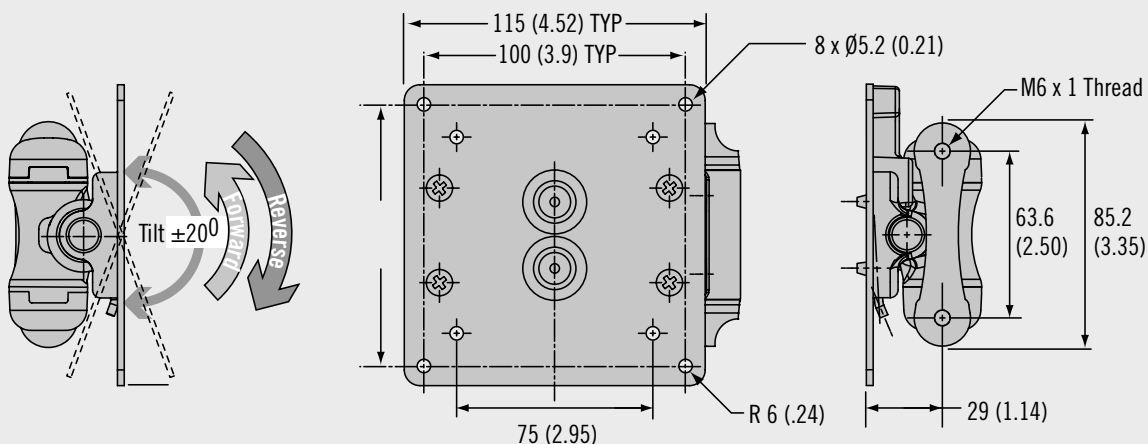
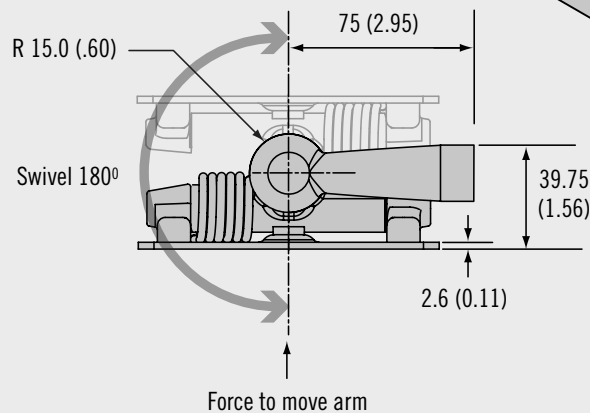
AV SERIES DYNAMIC MOUNT TILT & SWIVEL



- Intuitive grab and move operation enhances the user experience.
- No knobs or tools required to reposition the display.
- Precise control of operating effort ensures ideal “feel” and eliminates “drift.”
- Holds securely, even in applications with dynamic loading.
- Consistent repeatable operation.
- Factory assembled and ready for use.



Product Detail

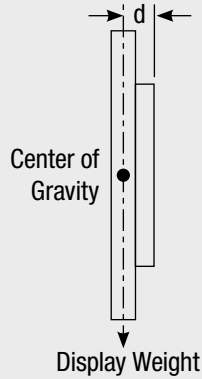


MONITOR MOUNT, TILT & SWIVEL MOUNT

Specification and Selection

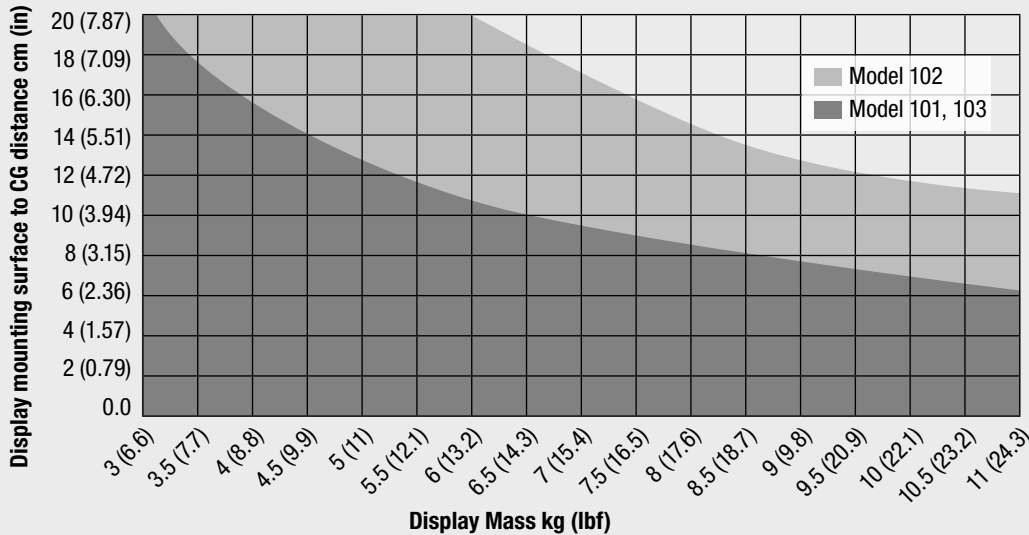
Step 1

Determine display weight and distance (d) from mounting surface to center of gravity.



Step 2

Use chart below to select model (101, 102 or 103).



Material and Finish

Aluminum alloy, powder coated

Performance Details

Cycle performance: 20,000 cycles within $\pm 20\%$ of static torque specification

Max. dynamic working load:
Model 101 and 103: 66N (15 lbf)
Model 102: 98N (22 lbf)
Average ultimate load: 178 N (450 lbf)

Part Number

See table

Part Number Example

AV-D30-7K101-50 = Dynamic mounting arm, Model 101, black

Step 3

Complete part number by selecting model and color options below.

MODEL S	TILT TORQUE N•M (IN LBF)		SWIVEL TORQUE
	REVERSE	FORWARD	
101	7.9 (70)	1.13 (10)	2.3 (20)
102	15.4 (136)	2.26 (20)	3.4 (30)
103	8.6 (76)	6 (53)	3.4 (30)

F	COLOR
50	Black
76	White

AV - D30 - 7K **S** - **F**

MONITOR MOUNT

TILT & SWIVEL COMPACT MOUNT

CAD
POWERED

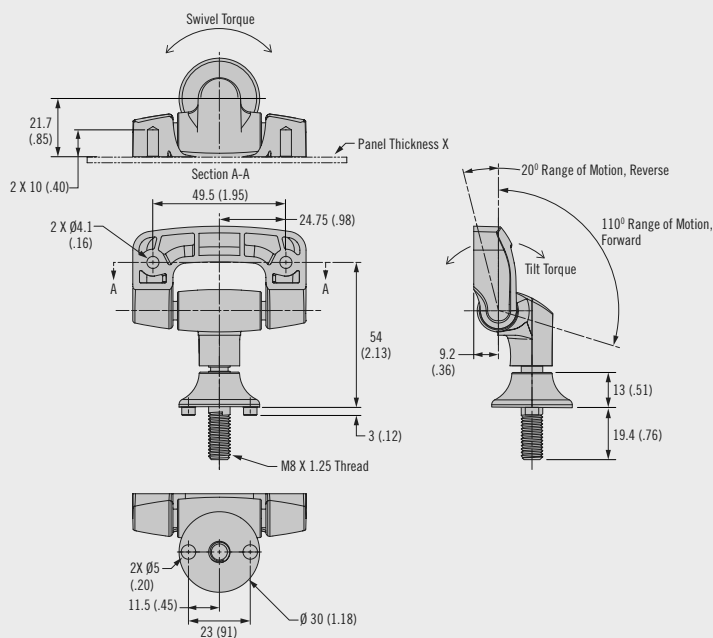
southco[®]
AUTHORIZED DISTRIBUTOR

AV SERIES DYNAMIC MOUNT TILT & SWIVEL COMPACT

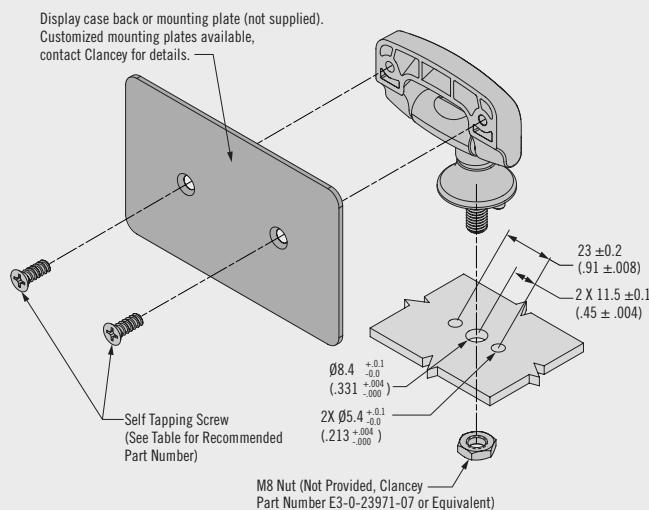


- Intuitive grab and move operation enhances the user experience.
- No knobs or tools required to reposition the display.
- Consistent repeatable operation.
- Factory assembled and ready for use.
- Smooth operation enhances the user experience.
- Adjust the display without knobs or tools.
- Holds securely in every position.

Product Detail



Installation



Installation Notes

1. Determine desired mounting location

2. Attach using M8 nut (not supplied) as shown

Caution: Because of the wide variety of panel materials, it is the installer's responsibility to ensure that the materials and structure to which the product is mounted and the hardware selected will provide adequate support.

3. Attach display mounting bracket using recommended self-tapping screws or equivalent

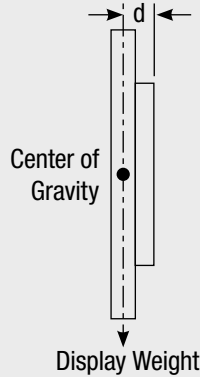
Specification and Selection

Step 1

Determine display weight and distance (d) from mounting surface to center of gravity.

Step 2

Use chart below to confirm suitable display weight. For weights outside the shaded area, consider Southco AV-D30 series display mounts.



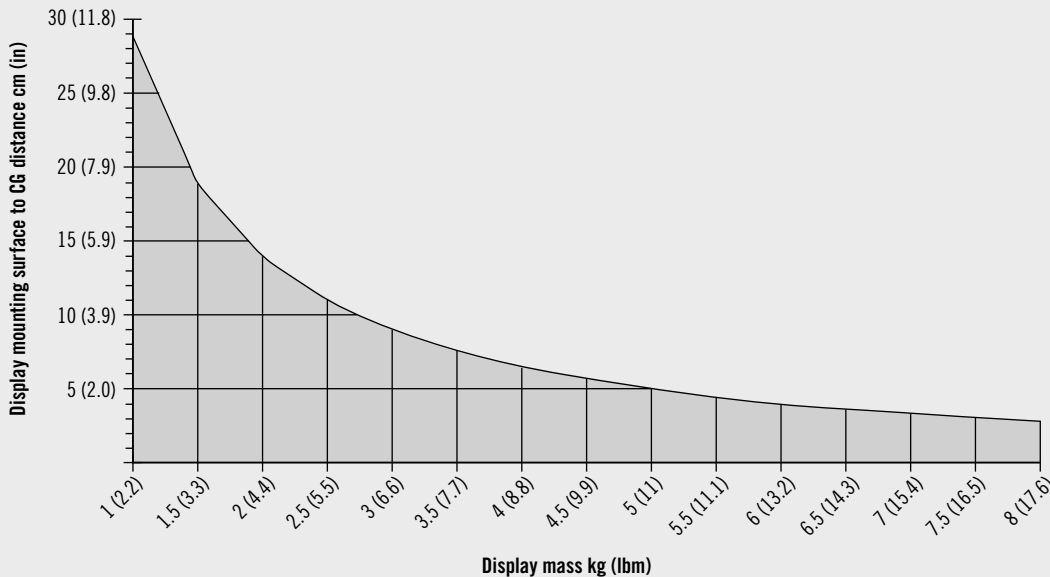
Material and Finish

Glass-Filled Nylon, Black;
Stainless Steel

Performance Details

Cycle performance
20,000 Cycles within +/- 20% of static torque specification
Max dynamic working load: 100N (22.5lbf)
Average ultimate load: 1000N (225lbf)

AV-C20 Series - Capacity vs. Cg Distance



Step 3

Select part number and recommended display mounting hardware below:

Recommended display mounting hardware:

PART NUMBERS	TILT TORQUEN- M (IN-LBF)	SWIVEL TORQUEN- M (IN-LBF)
AV-C20-K101-20	2.26 (20.0)	3.62 (32.0)

PANEL THICK- NESS, X (MM)	PAN-HEAD SCREW(P/N)	FLAT-HEAD SCREW(P/N)
1-4	96-79-1	96-79-11
4-7	96-79-2	96-79-12

MONITOR MOUNT MOUNTING ARM

CAD
POWERED

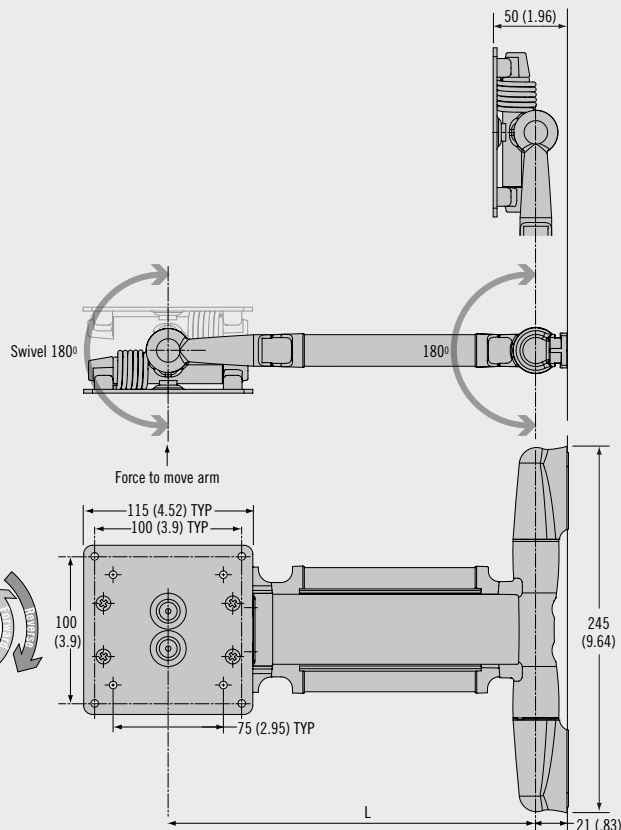
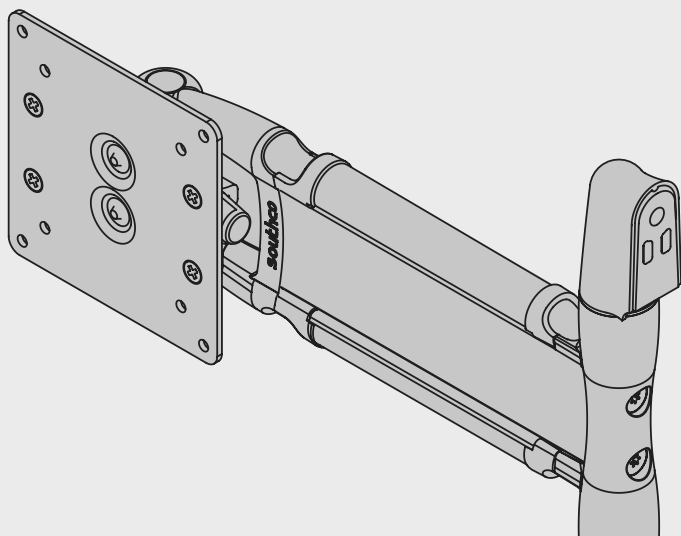
southco[®]
AUTHORIZED DISTRIBUTOR

AV SERIES DYNAMIC MOUNTING ARM TILT, SWIVEL, & SWING



- Intuitive grab and move operation enhances the user experience.
- No knobs or tools required to reposition the display.
- Precise control of operating effort ensures ideal “feel” and eliminates “drift.”
- Holds securely, even in applications with dynamic loading.
- Low profile in the stowed position.
- Folds to within 50 mm of the wall.
- Snap-open channels simplify wire management .
- Easy display installation and replacement.
- Factory assembled and ready for use.

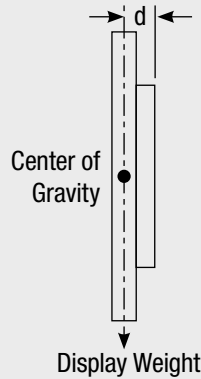
Product Detail



Specification and Selection

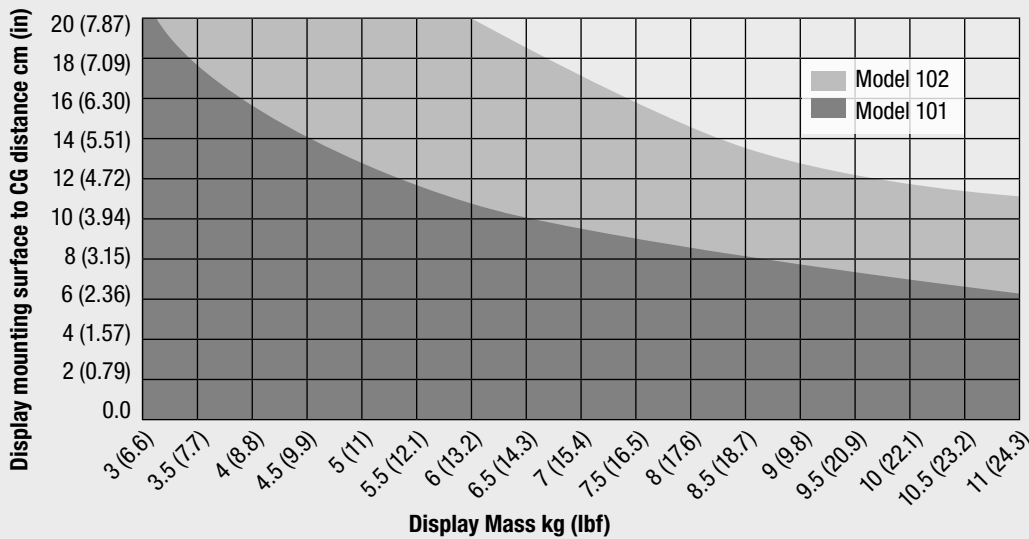
Step 1

Determine display weight and distance (d) from mounting surface to center of gravity.



Step 2

Use chart below to select model (101 or 102).



Material and Finish

Aluminum alloy, powder coated

Performance Details

Cycle performance: 20,000 cycles within $\pm 20\%$ of static torque specification

Max. dynamic working load:

Model 101: 66N (15 lbf)

Model 102: 98N (22 lbf)

Average ultimate load: See table

Part Number

See table

Part Number Example

AV-D30-25A101-50 = Dynamic mounting arm, Model 101, 250mm Length, black

Step 3

Complete part number by selecting length and color options below.

K	LENGTH (L)	AVERAGE ULTIMATE LOAD
15	150 (5.9)	2000 (450)
25	250 (9.8)	1200 (270)
35	350 (13.8)	850 (190)
45	450 (17.7)	660 (150)

MODEL S	FORCE TO MOVE ARM N (LB)	TILT TORQUE N•M (IN LBF)		SWIVEL TORQUE
		REVERSE	FORWARD	
101	22.2 (5)	7.9 (70)	1.13 (10)	2.3 (20)
102	33.8 (7.6)	15.4 (136)	2.26 (20)	3.4 (30)

F	COLOR
50	Black
76	White

AV- D30- **K** A **S** - **F**