

HOW TO SELECT YOUR CAM LOCK

For the best results in selecting the proper lock and cam the first time, please use one of the following methods.

- 1) Visit the product configuration tool at www.clancey.com.
 - You can get 3D models, request samples and pricing.
- 2) Call your application specialist.
 - We are well trained to help you. 800-747-7405.
- 3) Work with the catalog to select your parts.
 - Hardest method (sorry) please pay close attention to grips, cam offsets, cam lengths, sealing and finish options.

All items are ordered separately.



REMOVABLE CORE SYSTEMS

REMOVABLE CORE

- Multiple Key Codes
- Tool Actuation
- Change Key Codes in Future
- Configure to Order

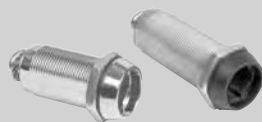


Non-Sealed



CM-6

Sealed



CM-3

- www.clancey.com or application specialist assisted only.

LOCK PLUG OPTIONS

- Shuttered.
- Non-shuttered.
- Tool driven.
- Master keyed.
- Removal keys.
- Keyed alike.
- Keyed differently.
- Groups of 10, 50, or 125 codes.



FIXED CORE, SEALED LOCKS



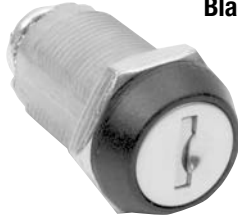
- Cams sold separately. (See page 153)

- Sealed to meet NEMA 4 water intrusion standards.
- Smooth operation with superior feel.
- Black or chrome housings.
- Shuttered lock core.

CM-2

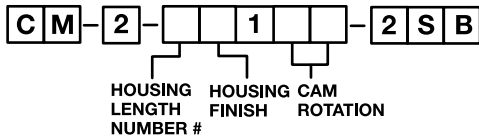


Chrome Housing



Black Housing

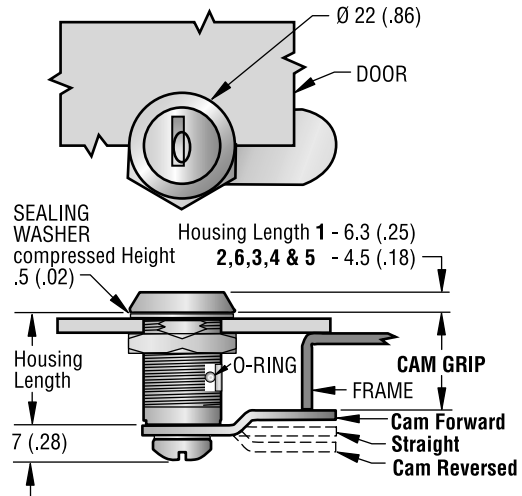
NOTE: After determining grip, add or subtract cam offset (see page 153) from housing length to assure a tight fit.



HOUSING LENGTHS	
Number	Dimensions
1	16 (.625)
2	22 (.875)
6	28.5 (1.125)
3	35 (1.375)
4	41 (1.625)
5	48 (1.875)

HOUSING FINISH
B = Black powder coated
C = Chrome plated

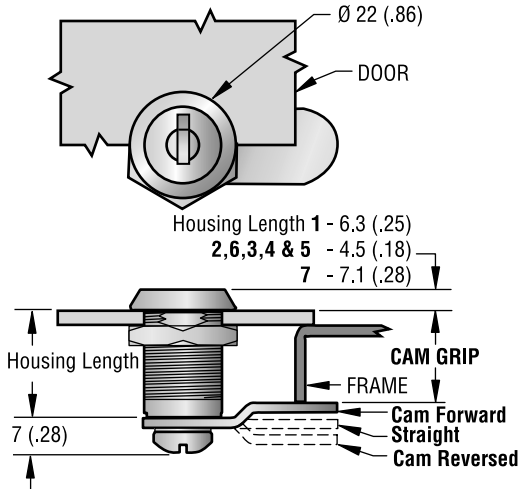
CAM ROTATION
(see facing page)
01 = Clockwise
09 = Counter-clockwise



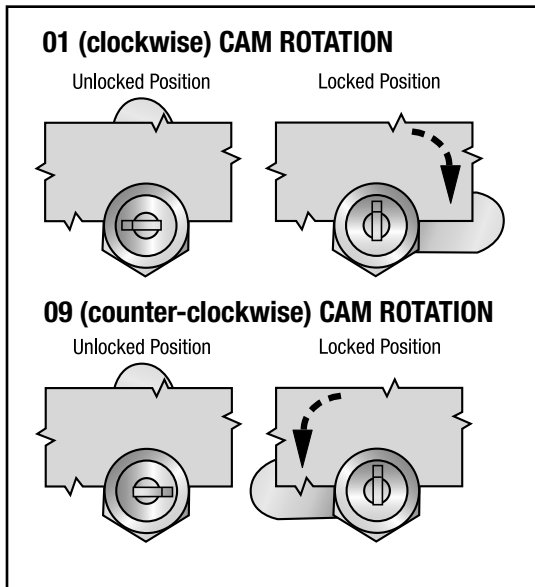
LOCK PLUG BODY and MOUNTING NUT: Die-cast zinc, bright chromate
HOUSING: Die-cast zinc, bright chromate and black power coated head or chrome plated head
SCREW with LOCKWASHER and STOP WASHER: Steel, zinc plate, bright chromate
O-RING: Nitrile, black
SEALING WASHER: Rubber, black
LOCKING SCALP: Stainless, steel, natural
SHUTTER: Brass, nickel plate
WAFERS: Brass, natural.
WAFER SPRINGS: Stainless steel, natural
SHUTTER SPRING: Steel alloy
KEYS: Brass, nickel plated (2 included)
LOCK: Key code CH751, keyed alike, key removal in locked and unlocked positions



- **Stainless steel cap on housing and lock core.**
- **Non-shuttered lock core.**
- **Economical solution.**



CAM ROTATION – ALL MODELS



FIXED CORE, NON-SEALED LOCKS

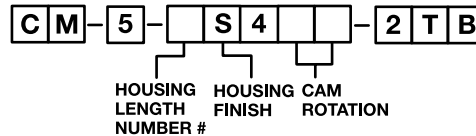
- **Cams sold separately (See page 153)**

CM-5



NOTE: After determining grip, add or subtract cam offset (see page 153) from housing length to assure a tight fit.

Fixed Core (Non-Sealed) PART NUMBER



HOUSING LENGTHS	
Number	Dimensions
7	11 (.438)
1	16 (.625)
2	22 (.875)
6	28.5 (1.125)
3	35 (1.375)
4	41 (1.625)
5	48 (1.875)

CAM ROTATION
 (see left)
 01 = Clockwise
 09 = Counter-clockwise

MATERIAL AND FINISH

LOCK PLUG BODY, HOUSING & MOUNTING NUT:
 Die-cast zinc, bright chromate
 TOOTHWASHER HEX NUT & SCREW with LOCKWASHER
 & STOP WASHER: Steel, zinc plate, bright chromate,
 HOUSING & LOCKPLUG SCALPS: Stainless steel,
 WAFERS: Brass, natural
 WAFER SPRINGS: Stainless steel, natural
 KEYS: Brass, nickel plated (2 included)
 LOCK: Key code CH751, keyed alike, key removal in
 locked and unlocked positions