

DOOR ASSISTS GAS SPRINGS

CAD
POWERED

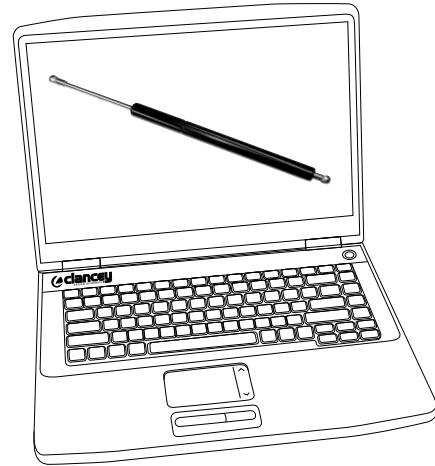
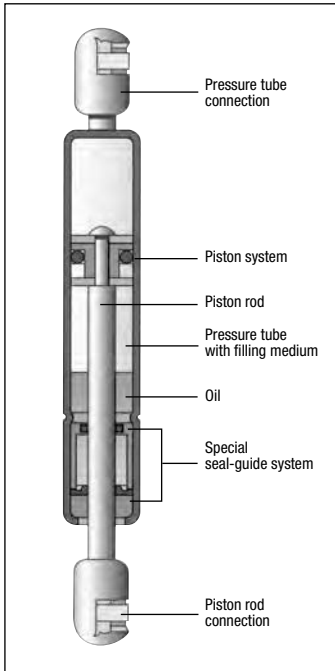
CLANCEY – THE LEADER IN DESIGNING GAS SPRING SOLUTIONS

Computer Validated Design Assistance

Clancey's Application Specialists are trained in the use of computer simulation programs designed to reduce time and costs from prototypes through production.

By applying technology we can "dial in" the desired features for your application.

- Opening force
- Closing force
- Control for temperature
- Handle load
- Auto-rise



Highest Quality Product

Clancey partners with the best manufacturers in the business. We insist on automotive industry quality levels. When you are selecting a partner for your gas springs consider the two parts of the gas spring that have the greatest impact on its life:

Rod Quality:

Our rods are treated with the "Ni-slide" salt bath nitrating process, resulting in a rod that is exceptionally smooth and corrosion resistant. When compared with industry standard chrome rods, the gas spring you select from Clancey will have a much longer life.

Seal Package:

Clancey offers a seal package designed for the longest life. In addition to the highest quality orifice and piston stack, Clancey's gas springs offer a special seal guide system that promotes straight entry and exit resulting in longer life.

Largest Product Variety – Design Flexibility

For custom gas springs based on application volume, Clancey offers customers the widest variety of configurations, hundreds more than other distributors. Here are but a few:

Inter-Stop

Gas spring which locks in 2 distinct positions.

Bloc-o-Lift

Multi-position, remote actuated locking gas spring.

Electro-Lift

Allows electrical current to transmit through the gas spring acting as a switch.

Stainless Steel

316 stainless steel construction for maximum corrosion resistance.

Heavy Duty

20 mm x 40 mm Rod and tube configurations allows forces up to 1000 lbs.

End-Fittings

Wide variety to suit all applications.



A small sample
of our offering.

Here is the information we will be looking for to assist you in selecting a gas spring that will work well in your application.

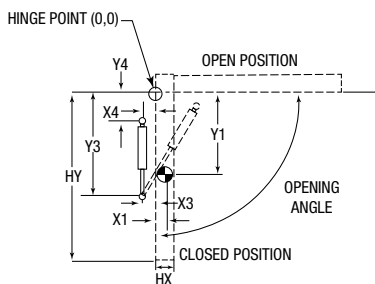
APPLICATION DEVELOPMENT

Section 1 - Customer and Project Information

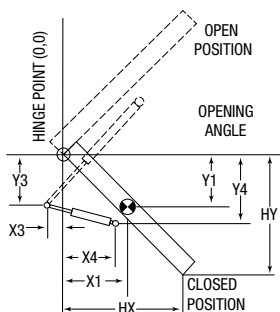
Company Name:	Project Name/Number:
Engineering Contact:	Application Description:
E-mail Address:	Estimated Number of Units Annually:
Phone:	Start of Production Date:

Section 2 - Application Type (Select One of Four Options)

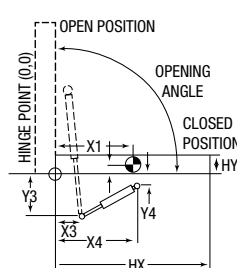
VERTICAL DOOR



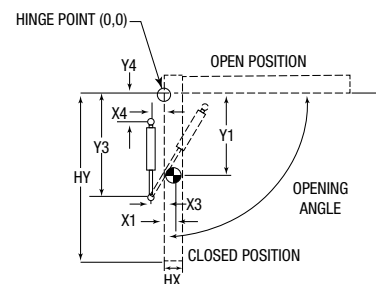
OFFSET DOOR



HORIZONTAL DOOR



VERTICAL HINGE (E.G., CAB DOORS)



Section 3 - Dynamic Requirements

Desired Action:

- Over-Center, e.g., vehicle rear hatch (most common)
- Auto Rise (door opens upon release of latch)

Desired Damping:

- Damped in Extension (most common)
- Custom Damping, e.g., damped in compression, dynamic damping _____

Section 4 - Application Data

Temperature: _____ °F or _____ °C
 _____ Minimum _____ Average _____ Maximum

Based on your selected application type, please give the following information (door in closed position):

Units: _____ mm or _____ inches

Center of Gravity: X1 = _____ Y1 = _____

Handle Location: HX = _____ HY = _____

Opening Angle: _____ degrees

Total Weight of Door: _____ lbs or _____ kg

Preferred Mounting Location (optional):

Fixed Point: X3 = _____ Y3 = _____

Moving Point: X4 = _____ Y4 = _____

Desired Handle Effort: To Open = _____ To Close = _____

Desired Number of Gas Springs Per Door: _____

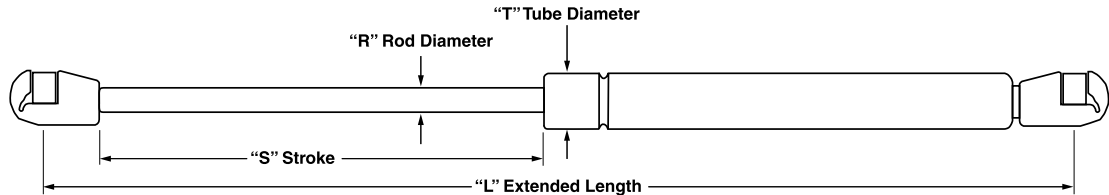
GAS SPRINGS, CAPABILITIES

DOOR ASSISTS COMPOSITE END GAS SPRINGS

CAD
POWERED

**6 mm ROD X 15 mm TUBE
COMPOSITE END-FITTINGS**

- Ni-Slide corrosion resistant rod.
- Corrosion resistant composite end-fitting.
- Easy "snap-on" installation.
- Many lengths, strokes, and forces are available.



10 mm COMPOSITE



Order 10 mm ball studs or brackets.

"R"	"T"	"L"	"S"	Force	Part Number	"R"	"T"	"L"	"S"	Force	Part Number
6mm	15mm	7.5"	2"	20 lbs	4533BE	6mm	15mm	12"	3.5"	20 lbs	5663BZ
				40 lbs	4535BV					30 lbs	5664BU
				60 lbs	4536BQ					60 lbs	5665BP
				80 lbs	4537BL					90 lbs	5666BK
6mm	15mm	7.7"	2.36"	11.2 lbs	6444BL	6mm	15mm	12.42"	4.72"	11.2 lbs	6462II
				22.5 lbs	6488IU					22.5 lbs	6519IX
				33.7 lbs	6489IP					33.7 lbs	6521ID
				45 lbs	6491IW					45 lbs	6522IZ
				56.2 lbs	6492IR					56.2 lbs	6523IU
				67.4 lbs	6493IM					67.4 lbs	6524IP
				78.7 lbs	6494IH					78.7 lbs	6525IK
				90 lbs	6495IC					90 lbs	6526IF
6mm	15mm	9.27"	3.15"	11.2 lbs	6449IM	6mm	15mm	14.78"	5.91"	11.2 lbs	6467IK
				22.5 lbs	6501IP					22.5 lbs	6539IL
				33.7 lbs	6502IK					33.7 lbs	6541IS
				45 lbs	6503IF					45 lbs	6542IN
				56.2 lbs	6504IA					56.2 lbs	6543II
				67.4 lbs	6505IW					67.4 lbs	6544ID
				78.7 lbs	6505IR					78.7 lbs	6545IZ
				90 lbs	6507IM					90 lbs	6567BF
6mm	15mm	10"	3"	20 lbs	4539BB	6mm	15mm	15"	5.5"	20 lbs	5668BA
				40 lbs	4540BN					40 lbs	5669BW
				60 lbs	4541BI					60 lbs	5670BH
				80 lbs	4542BD					80 lbs	5671BC
				100 lbs	5306BH					30 lbs	6147BR
				11.2 lbs	6458IL					40 lbs	6146BW
6mm	15mm	10.85"	3.94"	22.5 lbs	6508IH	6mm	15mm	17"	6"	60 lbs	6148BM
				33.7 lbs	6509IC					90 lbs	6149BH
				45 lbs	6511IJ					20 lbs	6150BT
				56.2 lbs	6514IV					30 lbs	6151BO
				67.4 lbs	6515IQ					40 lbs	6152BJ
				78.7 lbs	6516IL					90 lbs	6153BE
				90 lbs	6517IG						

Custom configurations and forces are available for high volume applications.

info@clancey.com
800-747-7405

DOOR ASSISTS, GAS SPRINGS, COMPOSITE END



**8 mm ROD X 18 mm TUBE,
COMPOSITE END-FITTINGS**

"R"	"T"	"L"	"S"	Force	Part Number
8mm	18mm	9.65"	3.15"	22.5 lbs	752614
				35 lbs	752622
				45 lbs	1417EP
				56 lbs	752630
				68 lbs	1418EK
				78 lbs	1419EF
				90 lbs	752649
				113 lbs	752657
8mm	18mm	11.20"	3.95"	136 lbs	752665
				22.5 lbs	752673
				35 lbs	752681
				45 lbs	1421EM
				56 lbs	752703
				68 lbs	1422EH
				78 lbs	1423EC
				90 lbs	752711
8mm	18mm	11.89"	3.5"	113 lbs	752738
				136 lbs	752746
				20 lbs	4552BY
				30 lbs	4553BT
				60 lbs	455B0
				90 lbs	455BJ
				120 lbs	4556BE
				150 lbs	4558BV
8mm	18mm	12"	3.6"	20 lbs	1573ET
				25 lbs	1574E0
				30 lbs	1575EJ
				35 lbs	1576EE
				40 lbs	1578EV
				45 lbs	1579EQ
				50 lbs	1581EX
				60 lbs	1582ES
				90 lbs	3071EV
				100 lbs	3072EQ
				140 lbs	1583EN
				8mm	18mm
35 lbs	752762				
45 lbs	1424EY				
56 lbs	752770				
68 lbs	1425ET				
78 lbs	1426E0				
90 lbs	752789				
113 lbs	752797				
136 lbs	752800				

"R"	"T"	"L"	"S"	Force	Part Number				
8mm	18mm	14.5"	5"	20 lbs	4909EG				
				25 lbs	3073EL				
				30 lbs	1584EI				
				35 lbs	1585ED				
				40 lbs	1586EZ				
				50 lbs	1587EU				
				65 lbs	4634EH				
				75 lbs	3075EB				
				80 lbs	4908EL				
				100 lbs	1588EP				
8mm	18mm	15.25"	5"	20 lbs	0365BR				
				30 lbs	0366BR				
				60 lbs	0367BM				
				90 lbs	0502BF				
				120 lbs	0503BA				
				150 lbs	0504BW				
				8mm	18mm	15.95"	6.3"	22.5 lbs	752819
								35 lbs	752827
45 lbs	1427EJ								
56 lbs	752835								
68 lbs	1428EE								
78 lbs	1431EG								
90 lbs	752843								
113 lbs	752851								
136 lbs	752878								
8mm	18mm	17"	6"					20 lbs	4526BW
				30 lbs	4527BR				
				60 lbs	4528BM				
				90 lbs	4529BH				
				120 lbs	4531B0				
				150 lbs	4532BJ				
				8mm	18mm	17.2"	6.2"	20 lbs	1589EK
								25 lbs	1591ER
30 lbs	3416EE								
35 lbs	1592EM								
40 lbs	3062EW								
45 lbs	1593EH								
50 lbs	1594EC								
55 lbs	1595EY								
60 lbs	1596ET								
80 lbs	3063ER								
85 lbs	1597E0								
90 lbs	1598EJ								
110 lbs	6334IX								
120 lbs	3065EH								
130 lbs	1599EE								

"R"	"T"	"L"	"S"	Force	Part Number
8mm	18mm	19.10"	7.9"	22.5 lbs	752886
				35 lbs	752894
				45 lbs	1432EB
				56 lbs	752908
				68 lbs	1433EX
				78 lbs	1434ES
				90 lbs	752916
				113 lbs	752924
8mm	18mm	19.7"	8"	136 lbs	752932
				30 lbs	3076EX
				35 lbs	1601EK
				45 lbs	1602EF
				55 lbs	1603EA
				60 lbs	1604EW
				70 lbs	3627EG
				80 lbs	3087EM
				85 lbs	1605ER
				90 lbs	3077ES
8mm	18mm	20"	8"	100 lbs	3078EN
				120 lbs	1606EM
				130 lbs	1607EH
				20 lbs	0628BK
				30 lbs	0629BF
				60 lbs	0630BR
				90 lbs	7290BH
				120 lbs	5358BA
8mm	18mm	23"	9.85"	150 lbs	0631BM
				22.5 lbs	752940
				35 lbs	752959
				45 lbs	1435EW
				56 lbs	852967
				68 lbs	1436EI
8mm	18mm	23"	9.85"	78 lbs	1437ED
				90 lbs	752975
				113 lbs	752983
				136 lbs	752991

10 mm COMPOSITE

Order 10 mm ball studs or brackets.

Try this part in your application.
Please call for samples.
 info@clancey.com
800-747-7405

DOOR ASSISTS, GAS SPRINGS, COMPOSITE END

DOOR ASSISTS COMPOSITE END GAS SPRINGS

CAD
POWERED

10 mm ROD X 22 mm TUBE, COMPOSITE END-FITTINGS

- NI-Slide corrosion resistant rod.
- Corrosion resistant composite end-fitting.
- Easy "snap-on" installation.
- Many lengths, strokes, and forces are available.

"R"	"T"	"L"	"S"	Force	Part Number
10mm	22mm	19.09"	7.87"	158 lbs	1422EW
				180 lbs	1443ER
				202 lbs	1444EM
				225 lbs	1445EH
10mm	22mm	23.03"	9.84"	158 lbs	1446EC
				180 lbs	1447EY
				202 lbs	1448ET
				225 lbs	1449EO
10mm	22mm	26.97"	11.81"	56 lbs	1438EZ
				90 lbs	753009
				158 lbs	753017
				202 lbs	753025
				225 lbs	753033

"R"	"T"	"L"	"S"	Force	Part Number
10mm	22mm	28"	11.5"	100 lbs	0395BI
				120 lbs	0360BU
				150 lbs	0361BP
				200 lbs	0362BK
				250 lbs	5359BW
10mm	22mm	30.91"	13.78"	56 lbs	1441EA
				90 lbs	753041
				158 lbs	753068
				202 lbs	753076
				225 lbs	753084
10mm	22mm	34.84"	15.75"	56 lbs	1441EA
				90 lbs	753092
				158 lbs	753106
				202 lbs	753114
				225 lbs	753122

10 mm COMPOSITE



Order 10 mm ball studs or brackets.

LIFT-N-LATCH: SAFETY LOCKING GAS SPRING

- Spring loaded mechanism locks into place when spring is at full extension.



"R"	"T"	"L"	"S"	Force	Part Number
8mm	18mm	17.2"	6.2"	20 lbs	1611EE
				30 lbs	3044EY
				40 lbs	5042ES
				50 lbs	3045ET
				70 lbs	3046EO
				80 lbs	3047EJ
				90 lbs	1613EV
				110 lbs	3048EE
				130 lbs	1614EQ

"R"	"T"	"L"	"S"	Force	Part Number
8mm	18mm	26.3"	10.2"	30 lbs	2977ER
				70 lbs	1616EG
				120 lbs	4636EY
				160 lbs	3238EX
				190 lbs	3239EX
				240 lbs	3241EZ

10 mm COMPOSITE



Order 10 mm ball studs or brackets.

DOOR ASSISTS, GAS SPRINGS, COMPOSITE END

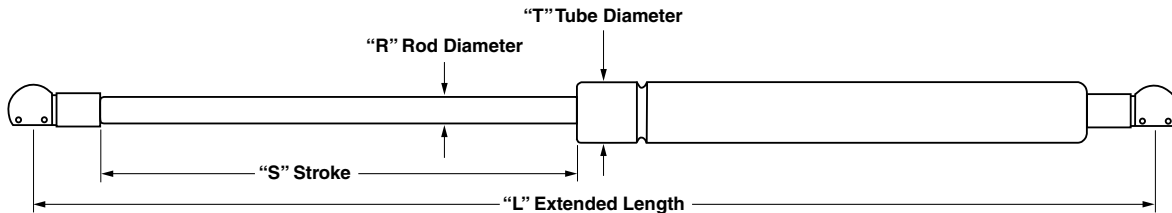


CLANCEY RESOURCES

You are about to select the finest gas spring available. Don't make the mistake of going it alone. Fill out the application form on the last page of this catalog (also available at www.clancey.com). Your Clancey application specialist will simulate your application in the computer saving you valuable time in product selection and development.

- NI-Slide corrosion resistant rod.
- Use of safety clips is required.

GAS SPRINGS WITH 10 mm STEEL END-FITTINGS



"R"	"T"	"L"	"S"	Force	Part Number
8mm	19mm	9.6"	3.2"	20 lbs	1617EB
				25 lbs	1618EX
				30 lbs	1619ES
				35 lbs	1621EZ
				40 lbs	1622EU
				45 lbs	3084EA
				50 lbs	3023EO
				60 lbs	1623EP
				70 lbs	3024EJ
				75 lbs	1624EK
				80 lbs	1625EF
				85 lbs	1626EA
				90 lbs	3025EE
				100 lbs	1627EW
				110 lbs	3027EV
				120 lbs	1628ER
150 lbs	1629EM				
170 lbs	3189EN				
8mm	19mm	12.2"	4.3"	20 lbs	1631ET
				25 lbs	2978EM
				30 lbs	1632EO
				40 lbs	1633EJ
				45 lbs	2979EH
				55 lbs	1634EE
				85 lbs	1636EV
				90 lbs	2981EO
				110 lbs	1637EQ
				140 lbs	4609EA
				150 lbs	3079EI
				170 lbs	4917EK

"R"	"T"	"L"	"S"	Force	Part Number
8mm	19mm	15.3"	5.8"	20 lbs	1638EL
				25 lbs	2993EZ
				30 lbs	1639EG
				35 lbs	2994EU
				40 lbs	1641EN
				45 lbs	2995EP
				50 lbs	1642EI
				60 lbs	1643ED
				70 lbs	3625EQ
				90 lbs	2996EK
				110 lbs	2997EF
				150 lbs	1644EZ
				160 lbs	3198EV
				20 lbs	2998EA
				30 lbs	1651EH
				40 lbs	1652EC
45 lbs	2999EW				
50 lbs	1653EY				
60 lbs	1654ET				
75 lbs	1655EO				
80 lbs	1656EJ				
85 lbs	3001EJ				
90 lbs	3002EE				
100 lbs	3004EV				
110 lbs	1657EE				
120 lbs	4734EA				
130 lbs	1659EV				
150 lbs	1661EB				

"R"	"T"	"L"	"S"	Force	Part Number
8mm	12mm	19.7"	7.9"	25 lbs	1662EX
				40 lbs	1633ES
				45 lbs	3009EX
				50 lbs	3092EE
				70 lbs	1664EN
				80 lbs	1665EI
				85 lbs	3012EZ
				90 lbs	1666ED
				100 lbs	4916EP
				110 lbs	5039EQ
				120 lbs	1667EZ
				150 lbs	1668EU
8mm	19mm	23"	8.9"	30 lbs	1645EU
				35 lbs	3017EA
				50 lbs	1646EP
				60 lbs	1647EK
				75 lbs	3018EW
				80 lbs	1648EF
				120 lbs	1649EA
				140 lbs	3267EK

10 mm Steel

Order 10 mm ball studs or brackets

Be sure to order 2 safety clips per gas spring.

PART NUMBER
012378

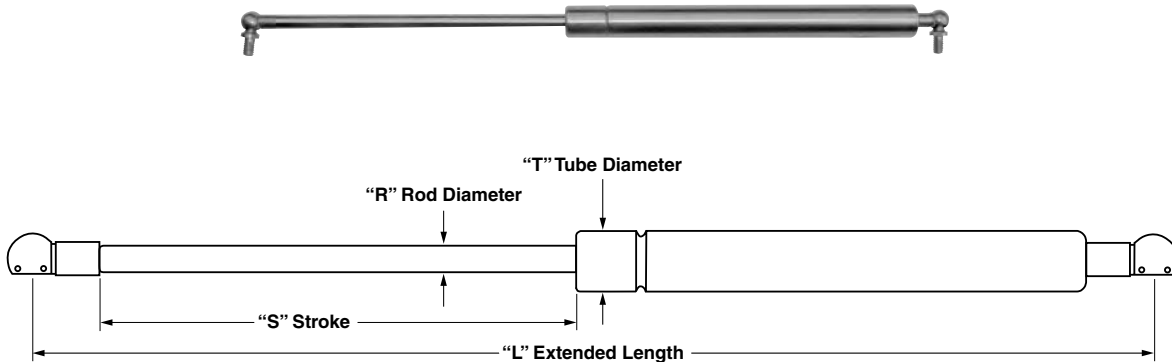
You're buying the best gas spring in the world.
Be sure to get the maximum life from it. Have our applications specialist run a computer simulation of your design for maximum performance.

DOOR ASSISTS STEEL END GAS SPRINGS

CAD
POWERED

**GAS SPRINGS WITH 13 mm
STEEL END-FITTINGS**

- NI-Slide corrosion resistant rod.
- Use of safety clips is required.
- For heavy duty applications.



"R"	"T"	"L"	"S"	Force	Part Number
10mm	22mm	20.2"	7.9"	45 lbs	3242EO
				70 lbs	4893EQ
				100 lbs	1669EP
				110 lbs	3013EU
				120 lbs	3082EK
				125 lbs	4551ER
				130 lbs	1671EW
				140 lbs	3014EP
				150 lbs	1672ER
				180 lbs	1673EM
				190 lbs	1674EH
				200 lbs	3015EK
				220 lbs	1675EC
240 lbs	1676CY				

"R"	"T"	"L"	"S"	Force	Part Number
10mm	22mm	26.3"	10.2"	30 lbs	1677ET
				35 lbs	2982EJ
				40 lbs	1678EO
				45 lbs	2983EE
				50 lbs	1679EJ
				70 lbs	1681EQ
				80 lbs	1682EL
				85 lbs	2985EV
				100 lbs	1683EG
				110 lbs	2986EQ
				120 lbs	1684EB
				130 lbs	2987EL
				150 lbs	1685EX
				190 lbs	2988EG
				220 lbs	1686ES
				240 lbs	2989EB
260 lbs	1687EN				

"R"	"T"	"L"	"S"	Force	Part Number
10mm	22mm	36.3"	15.2"	30 lbs	1688EI
				35 lbs	3005EQ
				40 lbs	1689ED
				60 lbs	1691EK
				75 lbs	3006EL
				80 lbs	1692EF
				100 lbs	1693EA
				110 lbs	4608EF
				120 lbs	1694EW
				130 lbs	1695ER
				150 lbs	1696EM
180 lbs	1697EH				

13 mm Steel

Order 13 mm ball studs or brackets

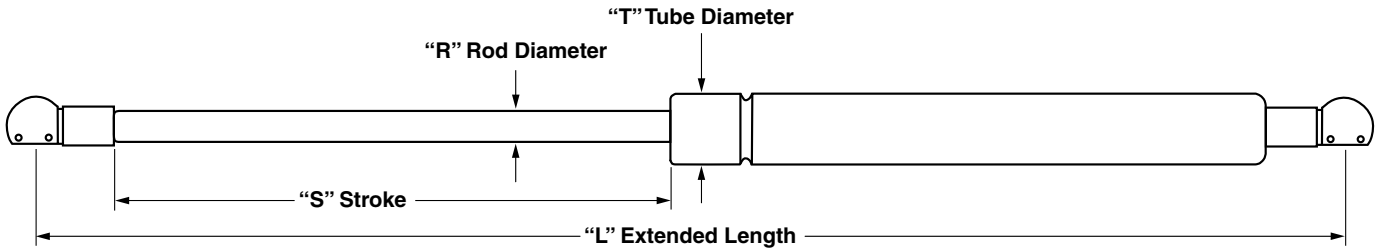
Be sure to order 2 safety clips per gas spring.

PART NUMBER
012351

DOOR ASSISTS, GAS SPRINGS, STEEL END

- Largest commercial available gas springs.
- Wide range of strokes to suit nearly any application.
- Ball studs and safety clips are included.

HEAVY-DUTY GAS SPRINGS



"R"	"T"	"L"	"S"	Force	Part Number
14mm	28mm	13.8"	3.93"	1300	2029LS
				1500	2357LQ
				1700	2358LL
				1900	2359LG
				2100	2361LN
14mm	28mm	17.3"	5.91"	1300	2033LP
				1500	2362LI
				1700	2363LS
				1900	2364LZ
				2100	2365LU
14mm	28mm	21.06"	7.87"	1300	2036LA
				1500	2366LP
				1700	2367LK
				1900	2368LF
				2100	2369LA
14mm	28mm	25.0"	9.84"	1300	2075LI
				1500	2371LH
				1700	2372LC
				1900	2373LY
				2100	2374LT
14mm	28mm	28.94"	11.81"	1300	2078LU
				1500	2375LO
				1700	2376LJ
				1900	2377LE
				2100	2379LV

"L"	"S"	Force	Part Number
32.87"	13.78"	1300	2082LR
		1500	2381LB
		1700	2382LX
		1900	2383LS
		2100	2384LN
36.81"	15.75"	1300	2085LC
		1500	2385LI
		1700	2386LD
		1900	2387LZ
		2100	2388LU
44.69"	19.64"	500	2088LO
		600	2389LP
		700	2391LW
		800	2392LR
		900	2393LM
		1000	2394LH
		1100	2395LC
		1300	2396LY
		1500	2397LT
		1700	2398LO

DOOR ASSISTS, GAS SPRINGS, STEEL END

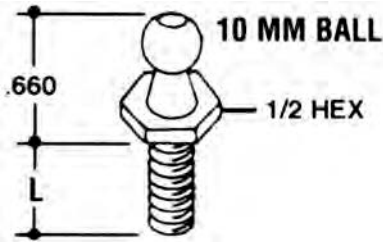
DOOR ASSISTS BALL STUDS

EXPANDED
RANGE

STANDARD BALL STUDS 10 MM

- Used in the majority of applications.
- Heat treated for additional strength.
- Custom sizes and finishes are available.

STAINLESS
AVAILABLE

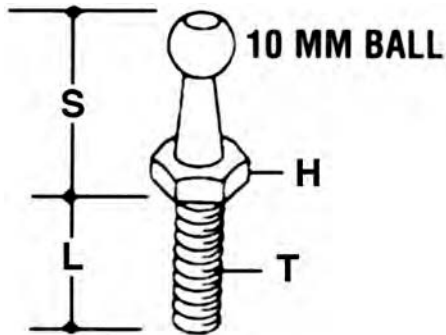


PART NUMBER	THREAD SIZE	THREAD LENGTH "L"	MATERIAL, FINISH
BS-100-0375	1/4-20	.375"	STEEL, ZINC PLATE
BS-100-0540	5/16-18	.540"	STEEL, ZINC PLATE
BS-105-0540	5/16-18	.540"	STAINLESS STEEL, PLAIN
BS-100-0750	5/16-18	.750"	STEEL, ZINC PLATE
BS-100-1000	5/16-18	1.00"	STEEL, ZINC PLATE

EXTENDED STANDOFF BALL STUDS 10 MM

- For applications where extra clearance is required.

All models feature
10 MM ball



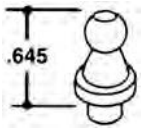
PART NUMBER	THREAD SIZE "T"	THREAD LENGTH "L"	STAND-OFF HEIGHT "S"	HEX SIZE "H"	MATERIAL, FINISH
BS-125-0750	5/16-18	.750"	.880"	7/16	STEEL, ZINC PLATE
BS-160-0625	5/16-18	.625"	.765"	1/2	STEEL, ZINC PLATE
BS-201-0375	1/4 - 28	.375"	.820"	7/16	STEEL, ZINC PLATE
BS-203-0562	1/4 - 28	.562"	.937"	7/16	STEEL, ZINC PLATE

EXPANDED RANGE

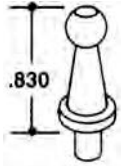
DOOR ASSISTS BALL STUDS

- For riveting to your bracket or assembly.

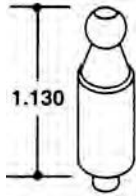
RIVETABLE BALL STUDS 10 MM



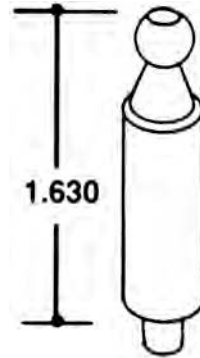
PART NUMBER
BSR - SB



PART NUMBER
BSR - LB



PART NUMBER
BSR - SP



All models feature
10 MM ball

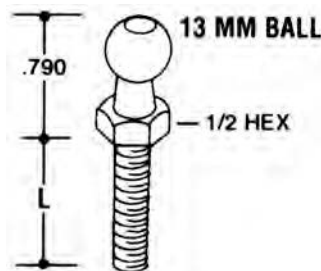
PART NUMBER
BSR - XLB

Material: Steel **Finish:** Zinc plate

- Used with larger gas springs.
- Heat treated for additional strength.
- Custom sizes and finishes are available.

STANDARD BALL STUDS 13 MM

PART NUMBER	THREAD SIZE	THREAD LENGTH "L"	MATERIAL, FINISH
BS-130-0540	5/16-18	.540"	STEEL, ZINC PLATE
BS-135-0540	5/16-18	.540"	STAINLESS STEEL, PLAIN
BS-130-0750	5/16-18	.750"	STEEL, ZINC PLATE
BS-130-1000	5/16-18	1.00"	STEEL, ZINC PLATE



STAINLESS AVAILABLE

DOOR ASSISTS, BALL STUDS

DOOR ASSISTS

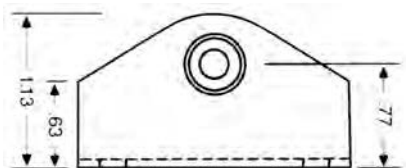
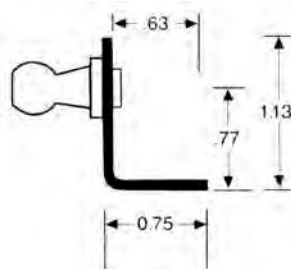
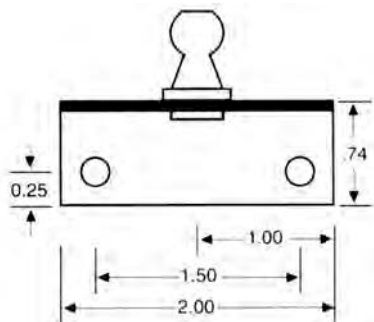
BALL STUD BRACKETS

90 DEGREE BRACKETS

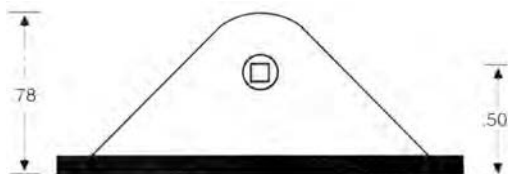
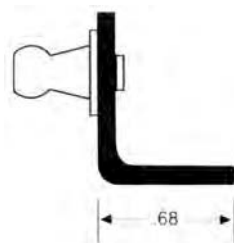
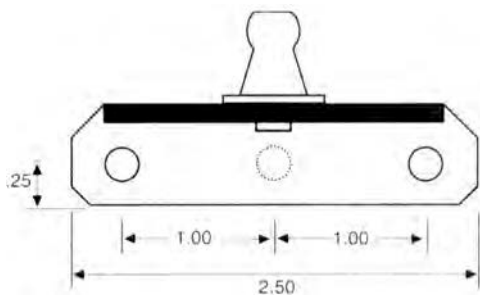
- Used for mounting gas springs.
- Can be assembled forward or reversed.
- Steel, stainless or aluminum available.
- Available w/o holes or finish for welding to your assembly.

STAINLESS AVAILABLE

ALUMINUM AVAILABLE



PART NUMBER	MATERIAL THICKNESS "T"	MOUNTING HOLE SIZE "H"
47-52-115	14 GAUGE (.074")	.203"



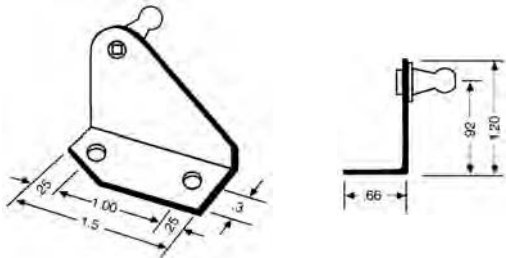
PART NUMBER	MATERIAL THICKNESS "T"	MOUNTING HOLE SIZE "H"
47-52-169	14 GAUGE (.074")	.203"

DOOR ASSISTS BALL STUD BRACKETS

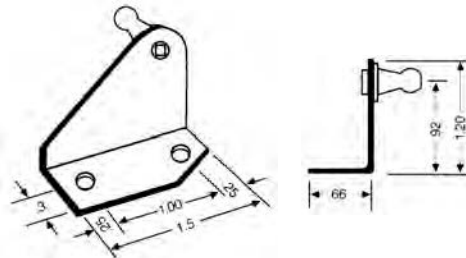
90 DEGREE BRACKETS

STAINLESS
AVAILABLE

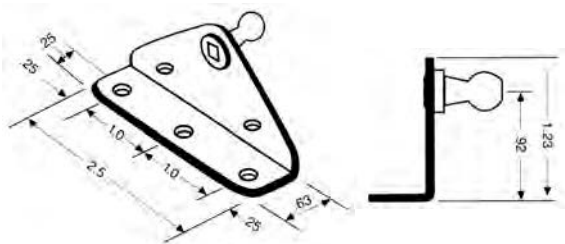
ALUMINUM
AVAILABLE



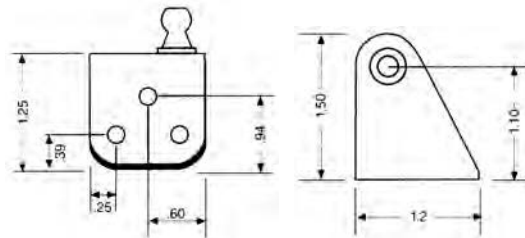
PART NUMBER	MATERIAL THICKNESS "T"	MOUNTING HOLE SIZE "H"
47-52-155	14 GAUGE (.074")	.203"



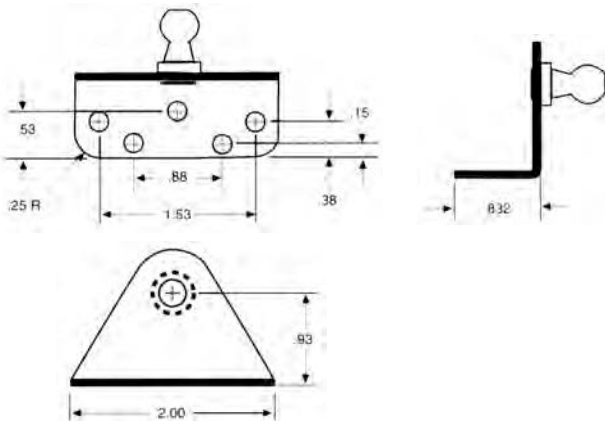
PART NUMBER	MATERIAL THICKNESS "T"	MOUNTING HOLE SIZE "H"
47-52-255	14 GAUGE (.074")	.203"



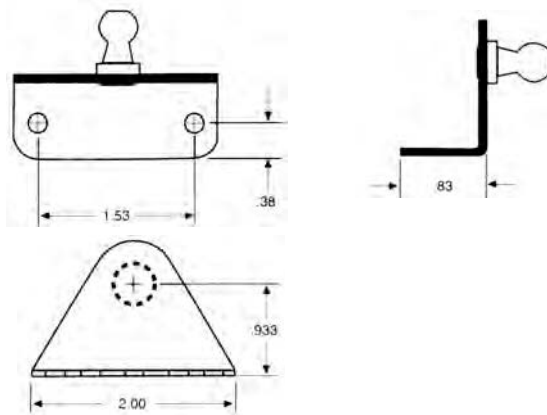
PART NUMBER	MATERIAL THICKNESS "T"	MOUNTING HOLE SIZE "H"
47-52-149	13 GAUGE (.090")	.203"



PART NUMBER	MATERIAL THICKNESS "T"	MOUNTING HOLE SIZE "H"
47-72-195	13 GAUGE (.090")	.203"



PART NUMBER	MATERIAL THICKNESS "T"	MOUNTING HOLE SIZE "H"
47-52-401	13 GAUGE (.090")	.188"



PART NUMBER	MATERIAL THICKNESS "T"	MOUNTING HOLE SIZE "H"
47-52-405	13 GAUGE (.090")	.188"

DOOR ASSISTS, BALL STUD BRACKETS

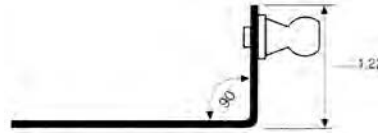
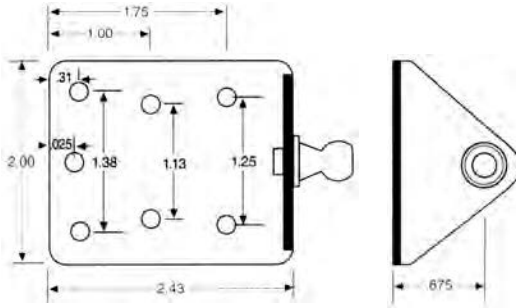
DOOR ASSISTS BALL STUD BRACKETS

EXPANDED
RANGE

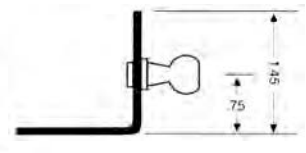
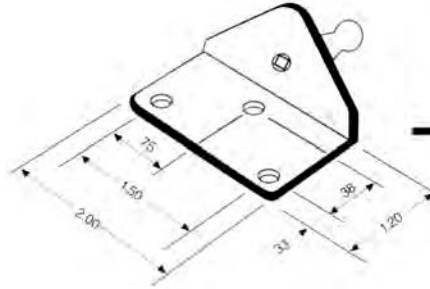
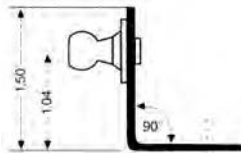
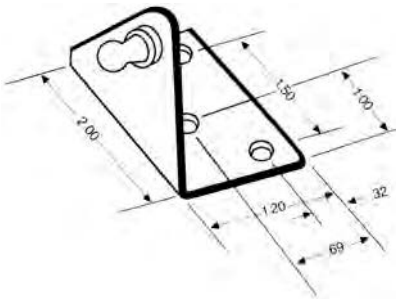
90 DEGREE BRACKETS

STAINLESS
AVAILABLE

ALUMINUM
AVAILABLE

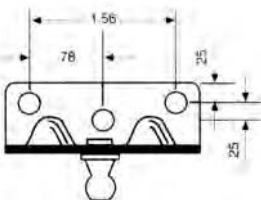
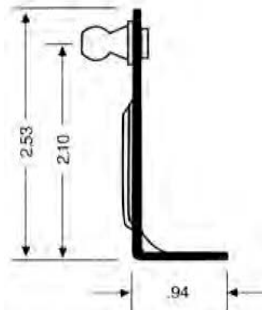
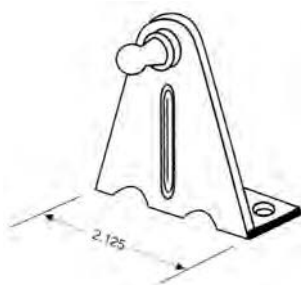


PART NUMBER	MATERIAL THICKNESS "T"	MOUNTING HOLE SIZE "H"
47-52-132	13 GAUGE (.090")	.203"



PART NUMBER	MATERIAL THICKNESS "T"	MOUNTING HOLE SIZE "H"
47-72-180	12 GAUGE (.105")	.203"

PART NUMBER	MATERIAL THICKNESS "T"	MOUNTING HOLE SIZE "H"
47-52-185	12 GAUGE (.105")	.203"



PART NUMBER	MATERIAL THICKNESS "T"	MOUNTING HOLE SIZE "H"
47-72-145	12 GAUGE (.105")	.203"



COMPUTER VALIDATED DESIGN ASSISTANCE

CLANCEY CAN HELP YOU SAVE TIME IN PRODUCT DEVELOPMENT AND ASSURE YOUR CUSTOMER GETS A FULL LIFE FROM THE GAS SPRING ON YOUR EQUIPMENT. GAS SPRINGS ARE OUR STRENGTH. CALL YOUR APPLICATION SPECIALIST TODAY.

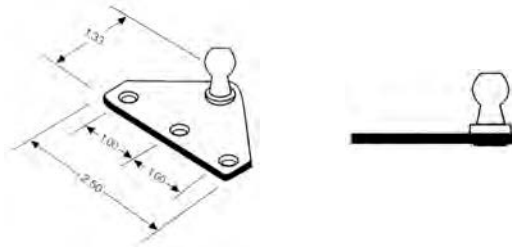
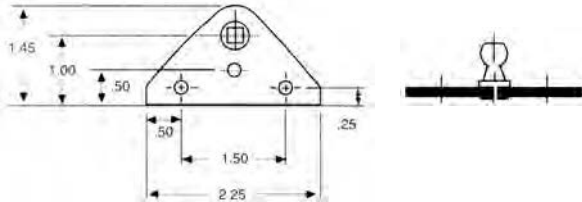
DOOR ASSISTS, BALL STUD BRACKETS

EXPANDED RANGE

DOOR ASSISTS BALL STUD BRACKETS

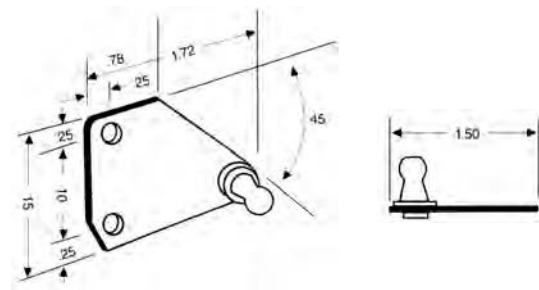
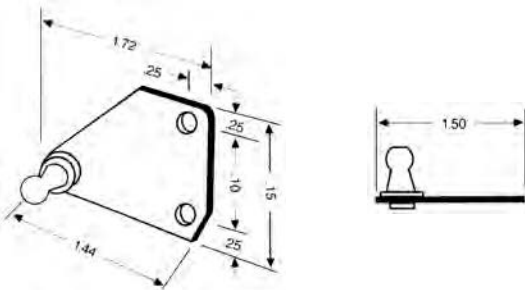
NOTE: Ball studs cannot be reversed on flat brackets.

FLAT BRACKETS



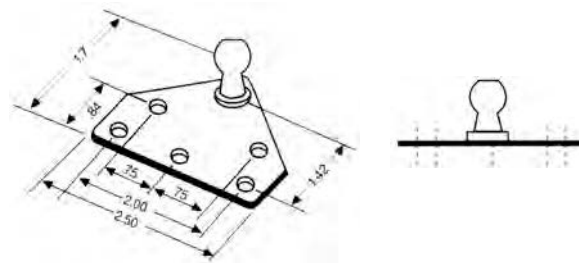
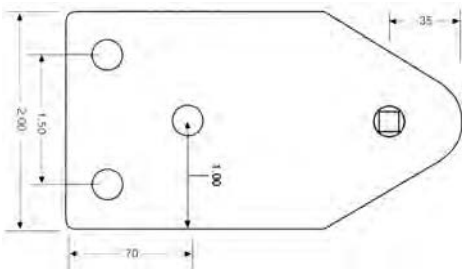
PART NUMBER	MATERIAL THICKNESS "T"	MOUNTING HOLE SIZE "H"
47-72-120	14 GAUGE (.074")	.203"

PART NUMBER	MATERIAL THICKNESS "T"	MOUNTING HOLE SIZE "H"
47-72-169	14 GAUGE (.074")	.203"



PART NUMBER	MATERIAL THICKNESS "T"	MOUNTING HOLE SIZE "H"
47-52-190	14 GAUGE (.074")	.203"

PART NUMBER	MATERIAL THICKNESS "T"	MOUNTING HOLE SIZE "H"
47-52-290	14 GAUGE (.074")	.203"



PART NUMBER	MATERIAL THICKNESS "T"	MOUNTING HOLE SIZE "H"
47-52-180	12 GAUGE (.105")	.203"

PART NUMBER	MATERIAL THICKNESS "T"	MOUNTING HOLE SIZE "H"
47-52-173	12 GAUGE (.105")	.203"

DOOR ASSISTS, BALL STUD BRACKETS

DOOR ASSISTS BALL STUD BRACKETS

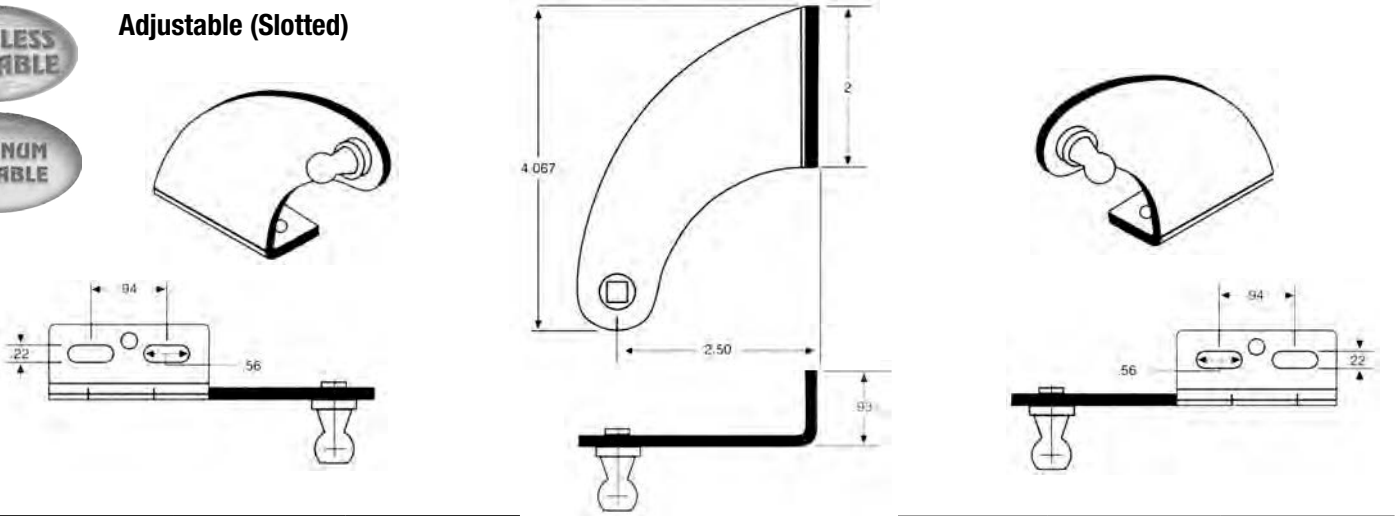


MECHANICAL ADVANTAGE BRACKETS

- Help improve mechanical advantage by re-positioning the ball stud in vertical door applications.

STAINLESS AVAILABLE
ALUMINUM AVAILABLE

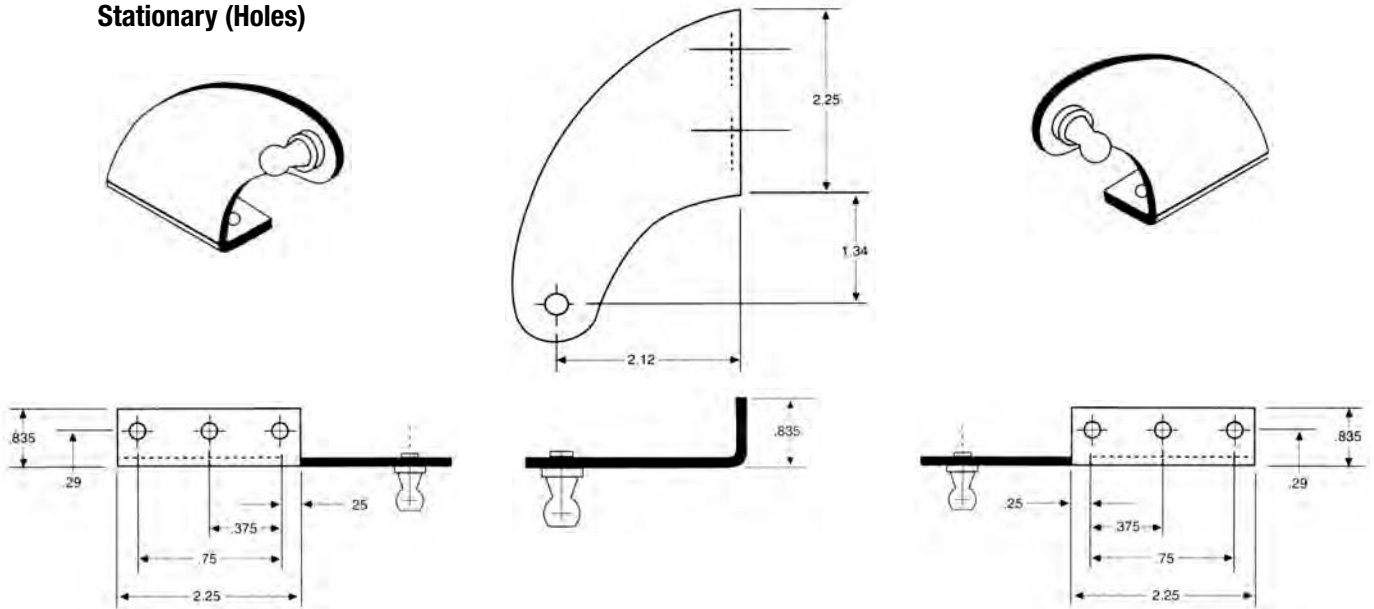
Adjustable (Slotted)



PART NUMBER	MATERIAL THICKNESS "T"	MOUNTING HOLE SIZE "H"
47-52-156	10 GAUGE (.125")	.203"

PART NUMBER	MATERIAL THICKNESS "T"	MOUNTING HOLE SIZE "H"
47-52-157	10 GAUGE (.125")	.203"

Stationary (Holes)



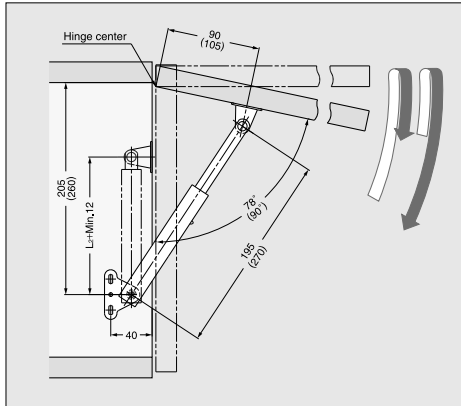
PART NUMBER	MATERIAL THICKNESS "T"	MOUNTING HOLE SIZE "H"
47-52-1120	10 GAUGE (.125")	.203"

PART NUMBER	MATERIAL THICKNESS "T"	MOUNTING HOLE SIZE "H"
47-52-1125	10 GAUGE (.125")	.203"

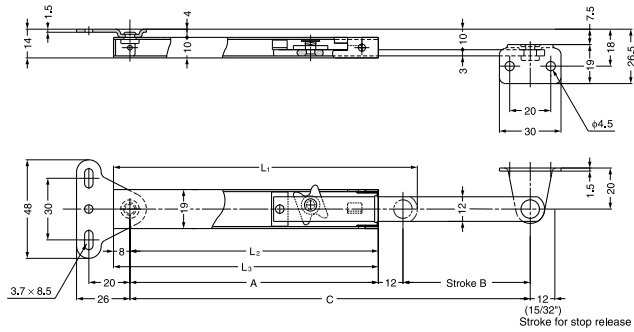
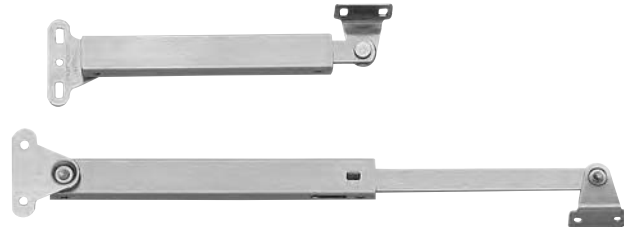
Note: All products are illustrated with the ball stud in the forward position.

DOOR ASSISTS, BALL STUD BRACKETS

- Non-handed.
- Positive stop keeps lid open.
- Upward "Push" releases stay to close lid.
- NSF recognized component.



POSITIVE STOP LID STAY

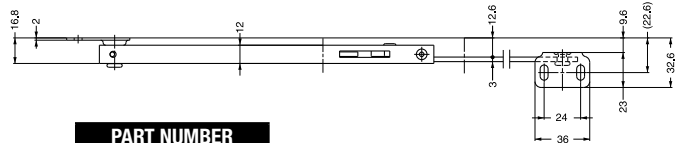
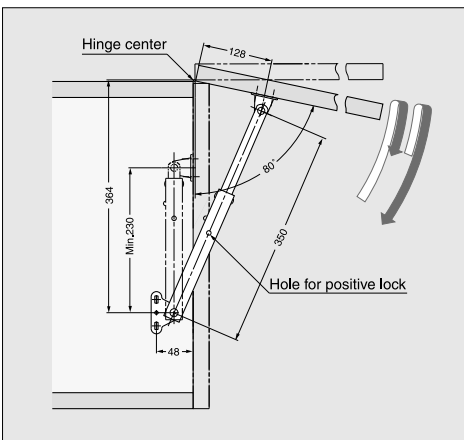


MATERIAL: 304 stainless steel
FINISH: Satin
NOTE: Mounting screws not included
LOAD: 33 lbs each

PART NUMBER	L1	L2	L3	A	B	C	Door Height Range
L-195	148mm (5.83")	121mm (4.76")	129mm (5.08")	133mm (5.24")	62mm (2.44")	195mm (7.68")	250-350mm (9.8-13.8")
L-270	185mm (7.28")	158mm (6.22")	166mm (6.54")	170mm (6.69")	100mm (3.98")	270mm (10.63")	320-500mm (12.6-19.7")

- Non-handed.
- 66 lb each load capacity.
- Hole available for locking pin (not included).

HEAVY DUTY VERSION



PART NUMBER
LB-350

