

DRAWER SLIDES

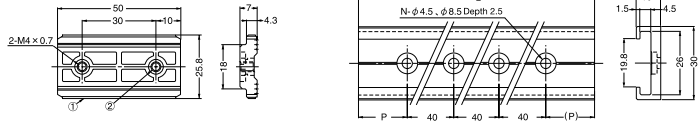
ALUMINUM - LIGHTWEIGHT

GUIDE BLOCK AND RAIL

- Drawer slide alternative.
- Smooth movement (0.1 dynamic friction).
- 5 standard rail sizes.

NON-CORROSIVE

ALUMINUM ALLOY



Material: Block – Polyethylene
w/ 304 stainless inserts
Rail – Aluminum
Finish: Block – Black, Rail – White Alumite

PART NUMBER
MRS-50C

| PART NUMBER | Rail Length "L" | P | N |
|-------------|-----------------|-------------|--------------|
| MRS30-100 | 100mm (3.93") | 10mm (.39") | 3mm (.12") |
| MRS30-200 | 200mm (7.87") | 20mm (.79") | 5mm (.20") |
| MRS30-400 | 400mm (15.75") | 20mm (.79") | 10mm (.39") |
| MRS30-800 | 800mm (31.50") | 20mm (.79") | 20mm (.79") |
| MRS30-2000 | 2000mm (78.74") | 20mm (.79") | 50mm (1.97") |

ALUMINUM, 3/4 EXTENSION SLIDE

55 lbs/pair @ 16" LENGTH

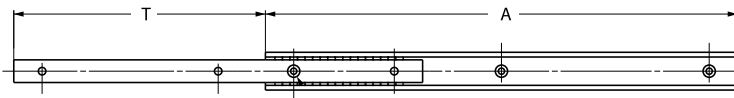
- Non-handed.
- Positive stop.
- Two-member.

ALUMINUM ALLOY

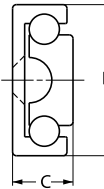


Material: Slides – Aluminum alloy
Ball bearings – Steel
Finish: Slides - White Alumite

| PART NUMBER | NOMINAL SIZE | PRIMARY DIMENSIONS | | | |
|-------------|--------------|--------------------------|-------------------------|------------------------|--------------|
| | | OUTER CHANNEL LENGTH "A" | OUTER CHANNEL WIDTH "B" | ASSEMBLY THICKNESS "C" | TRAVEL "T" |
| AR2-100 | 4 INCH | 100 (3.94") | 20 (.79") | 8 (.31") | 60 (2.36") |
| AR2-200 | 8 INCH | 200 (7.87") | | | 120 (4.72") |
| AR2-300 | 12 INCH | 300 (11.81") | | | 180 (7.09") |
| AR2-400 | 16 INCH | 400 (15.75") | | | 240 (9.45") |
| AR2-500 | 20 INCH | 500 (19.69") | | | 300 (11.81") |



Call for mounting diagrams.



For detailed material specifications plus product installation instructions.

www.clancey.com

ALUMINUM, FULL EXTENSION SLIDE

30 lbs/pair @ 16" LENGTH

- Non-handed.
- Positive stop.
- Three-member.

ALUMINUM ALLOY

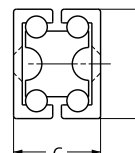


Material: Slides – Aluminum alloy
Ball bearings – Steel
Finish: Slides - White Alumite

| PART NUMBER | NOMINAL SIZE | PRIMARY DIMENSIONS | | | |
|-------------|--------------|--------------------------|-------------------------|------------------------|--------------|
| | | OUTER CHANNEL LENGTH "A" | OUTER CHANNEL WIDTH "B" | ASSEMBLY THICKNESS "C" | TRAVEL "T" |
| AR3-100 | 4 INCH | 100 (3.94") | 20 (.79") | 16 (.53") | 100 (3.94") |
| AR3-200 | 8 INCH | 200 (7.87") | | | 200 (7.87") |
| AR3-300 | 12 INCH | 300 (11.81") | | | 300 (11.81") |
| AR3-400 | 16 INCH | 400 (15.75") | | | 400 (15.75") |
| AR3-500 | 20 INCH | 500 (19.69") | | | 500 (19.69") |



Call for mounting diagrams.



Note: Load rating will decrease with slide length
Ratings are for reference only.

DRAWER SLIDES

STAINLESS STEEL - LIGHTWEIGHT

- Front disconnect – easy assembly.
- Hold-in detent.
- Positive stop.
- Non-handed.

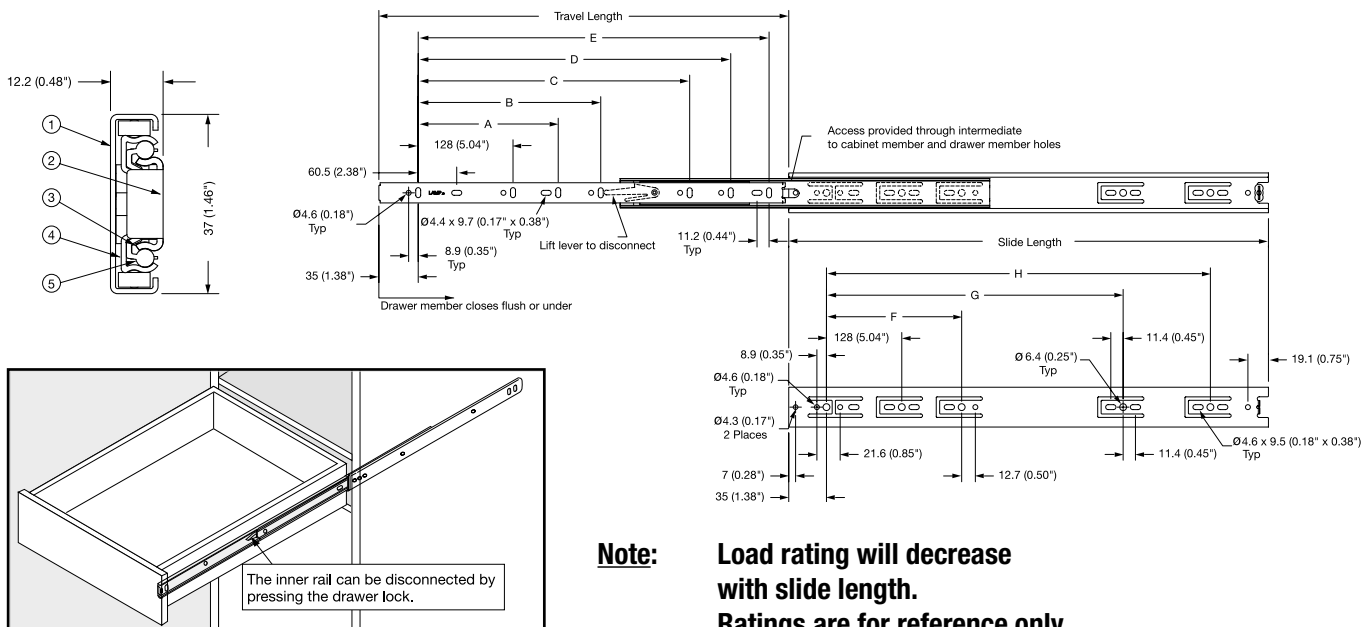
STAINLESS, FULL EXTENSION SLIDE
75 lbs/pair @ 18" LENGTH



| PART NUMBER | Slide Length | Travel Length | A | B | C | D | E | F | G | H |
|-------------|----------------|----------------|---------------|---|----------------|----------------|----------------|---------------|----------------|----------------|
| ESR-3813-8 | 200mm (7.87") | 200mm (7.87") | - | - | - | - | 142mm (5.59") | - | - | - |
| ESR-3813-10 | 250mm (9.84") | 243mm (9.57") | - | - | - | - | 192mm (7.56") | - | - | - |
| ESR-3813-12 | 300mm (11.81") | 304mm (12.00") | - | - | - | - | 242mm (9.53") | 224mm (8.82") | - | - |
| ESR-3813-14 | 350mm (13.78") | 355mm (14.00") | - | - | - | - | 292mm (11.50") | 224mm (8.82") | - | - |
| ESR-3813-16 | 400mm (15.75") | 406mm (16.00") | - | - | - | - | 342mm (13.46") | 224mm (8.82") | 320mm (12.60") | - |
| ESR-3813-18 | 450mm (17.72") | 457mm (18.00") | - | - | 320mm (12.60") | - | 392mm (15.43") | 224mm (8.82") | 352mm (13.86") | - |
| ESR-3813-20 | 500mm (19.69") | 508mm (20.00") | - | - | 320mm (12.60") | - | 442mm (17.40") | 224mm (8.82") | 416mm (16.38") | - |
| ESR-3813-22 | 550mm (21.65") | 559mm (22.00") | - | - | 320mm (12.60") | 416mm (16.38") | 492mm (19.37") | 224mm (8.82") | 352mm (13.86") | 448mm (17.64") |
| ESR-3813-24 | 600mm (23.62") | 610mm (24.00") | 224mm (8.89") | - | 416mm (16.38") | - | 542mm (21.34") | 224mm (8.82") | 352mm (13.86") | 480mm (18.90") |

| Ref. # | Part | Material |
|--------|-------------|---------------------|
| 1 | Outer Rail | 304 Stainless Steel |
| 2 | Inner Rail | |
| 3 | Retainer | |
| 4 | Middle Rail | |
| 5 | Balls | |

Mounts with:
M4 or #8 pan, round
or binding head screws
(not included)



Note: Load rating will decrease with slide length. Ratings are for reference only.

DRAWER SLIDES, STAINLESS STEEL - LIGHTWEIGHT

DRAWER SLIDES

STAINLESS STEEL - STANDARD WEIGHT

STAINLESS, FULL EXTENSION SLIDE
100 lbs/pair @ 18" LENGTH



- Front disconnect – easy assembly.
- Hold-in detent.
- Positive stop.
- Non-handed.

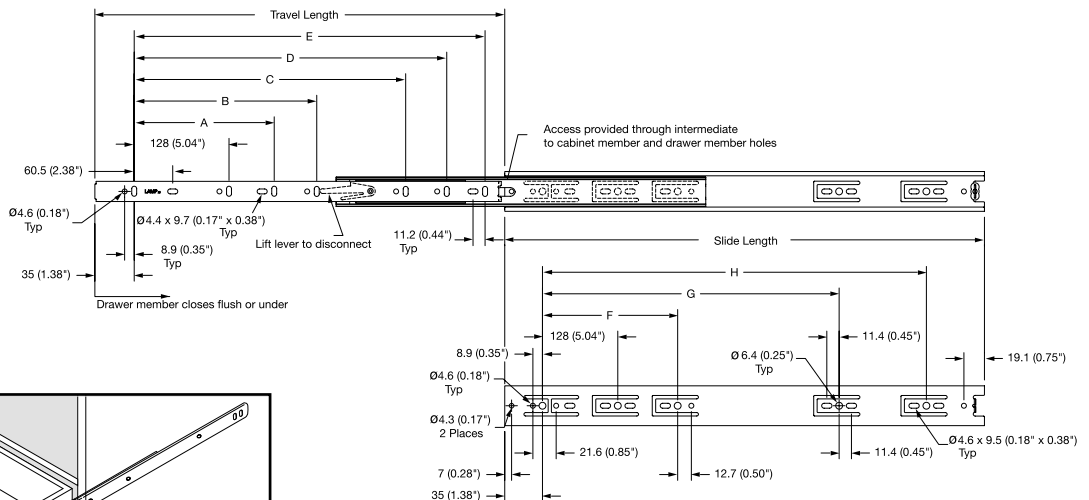
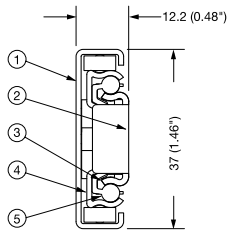
ACCURIDE® 3832 EQUIVALENT
MOUNTS IN SAME HOLE PATTERN

ACCURIDE® IS A REGISTERED TRADEMARK
 OF ACCURIDE® INTERNATIONAL, INC.

| PART NUMBER | Slide Length | Travel Length | A | B | C | D | E | F | G | H |
|-------------|----------------|----------------|---------------|----------------|----------------|----------------|----------------|---------------|----------------|----------------|
| ESR-4513-10 | 250mm (9.84") | 243mm (9.57") | - | - | - | - | 192mm (7.56") | - | - | - |
| ESR-4513-12 | 300mm (11.81") | 304mm (12.00") | - | - | - | - | 242mm (9.53") | 224mm (8.82") | - | - |
| ESR-4513-14 | 350mm (13.78") | 355mm (14.00") | - | - | - | - | 292mm (11.50") | 224mm (8.82") | - | - |
| ESR-4513-16 | 400mm (15.75") | 406mm (16.00") | - | - | - | - | 342mm (13.46") | 224mm (8.82") | 320mm (12.60") | - |
| ESR-4513-18 | 450mm (17.72") | 457mm (18.00") | - | - | 320mm (12.60") | - | 392mm (15.43") | 224mm (8.82") | 352mm (13.86") | - |
| ESR-4513-20 | 500mm (19.69") | 508mm (20.00") | - | - | 320mm (12.60") | - | 442mm (17.40") | 224mm (8.82") | 416mm (16.38") | - |
| ESR-4513-22 | 550mm (21.65") | 559mm (22.00") | - | - | 320mm (12.60") | 416mm (16.38") | 492mm (19.37") | 224mm (8.82") | 352mm (13.86") | 448mm (17.64") |
| ESR-4513-24 | 600mm (23.62") | 610mm (24.00") | 224mm (8.89") | - | 416mm (16.38") | - | 542mm (21.34") | 224mm (8.82") | 352mm (13.86") | 480mm (18.90") |
| ESR-4513-26 | 650mm (25.59") | 660mm (26.00") | 224mm (8.89") | - | 416mm (16.38") | 544mm (21.48") | 592mm (23.31") | 224mm (8.82") | 352mm (13.86") | 544mm (21.48") |
| ESR-4513-28 | 700mm (27.56") | 711mm (28.00") | 224mm (8.89") | 288mm (11.34") | 416mm (16.38") | 544mm (21.48") | 642mm (25.28") | 224mm (8.82") | 352mm (13.86") | 544mm (21.48") |

Mounts with:
M4 or #8 pan, round or binding
head screws (not included)

| Ref. # | Part | Material |
|--------|-------------|---------------------|
| 1 | Outer Rail | 304 Stainless Steel |
| 2 | Inner Rail | |
| 3 | Retainer | |
| 4 | Middle Rail | |
| 5 | Balls | |

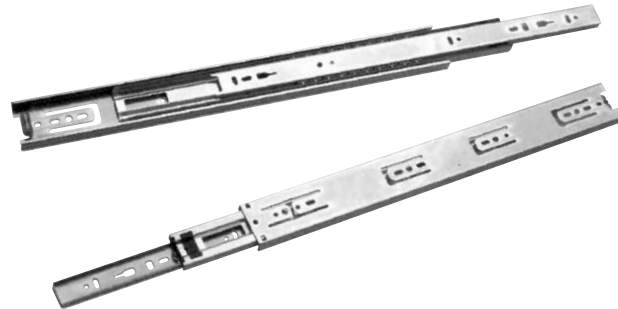


Note: Load rating will decrease with slide length. Ratings are for reference only.

DRAWER SLIDES, STAINLESS STEEL - STANDARD WEIGHT

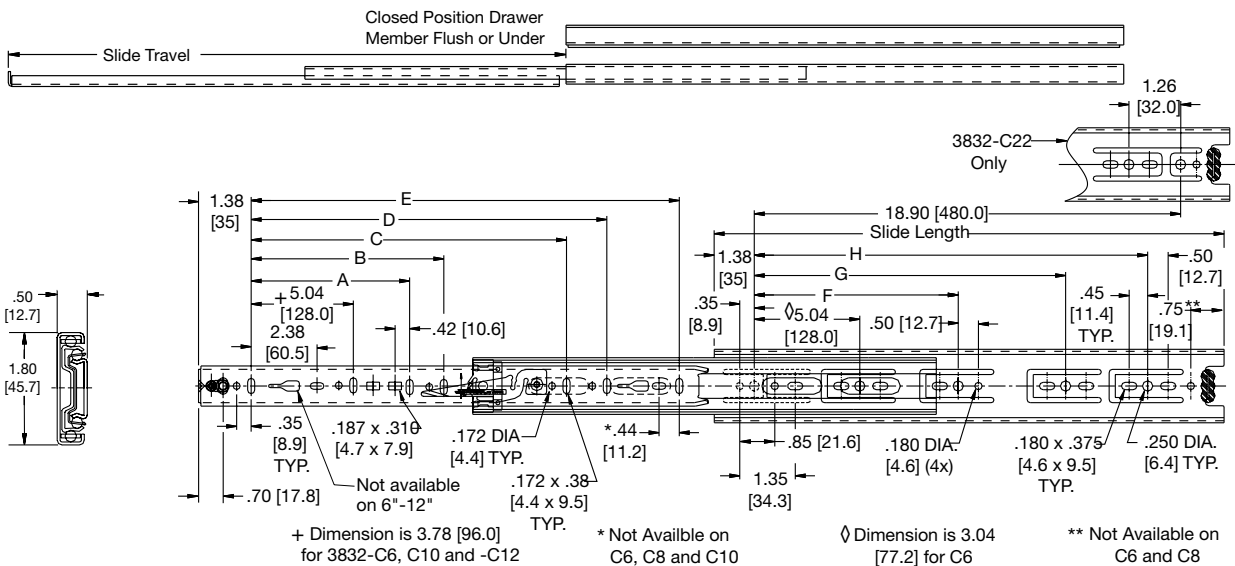
- Front disconnect - easy assembly.
- Hold-in detent.
- Breather tabs self-adjust to side clearance.
- Non-handed.
- Industry's most popular model.
- Options include self closing, touch release, and easy close. Call for details.
- Pocket and bayonet mounting available

**STEEL, FULL EXTENSION SLIDE
100 lbs/pair @ 18" LENGTH**



| PART NUMBER | Slide Length | Slide Travel | | A | B | C | D | E | F | G | H |
|-------------|--------------|--------------|-------------|------------|-------------|--------------------------|-------------|-------------|------------|-------------|-------------|
| | | 3832 | 3834 | | | | | | | | |
| C3832-C6P | 5.84 (148) | 5.50 (140) | | | | | | | | | |
| C3832-C8P | 7.84 (199) | 8.00 (203) | | | | | | 5.56 (141) | | | |
| C3832-C10P | 9.84 (250) | 9.57 (243) | | | | | | 7.56 (192) | | | |
| C3832-C12P | 11.81 (300) | 12.00 (305) | 13.00 (330) | | | | | 9.52 (242) | 8.82 (224) | | |
| C3832-C14P | 13.78 (350) | 14.00 (356) | 15.00 (381) | | | | | 11.50 (292) | 8.82 (224) | | |
| C3832-C16P | 15.75 (400) | 16.00 (406) | 17.00 (432) | | | | | 13.47 (342) | 8.82 (224) | 12.60 (320) | |
| C3832-C18P | 17.72 (450) | 18.00 (457) | 19.00 (483) | | | 12.60 (320) | | 15.43 (392) | 8.82 (224) | 13.86 (352) | |
| C3832-C20P | 19.69 (500) | 20.00 (508) | 21.00 (533) | | | 12.60 (320) | | 17.40 (442) | 8.82 (224) | 16.38 (416) | |
| C3832-C22P | 21.65 (550) | 22.00 (559) | 23.00 (584) | | | [†] 12.60 (320) | 16.38 (416) | 19.37 (492) | 8.82 (224) | 13.86 (352) | 17.64 (448) |
| C3832-C24P | 23.62 (600) | 24.00 (610) | 25.00 (635) | 8.82 (224) | | 16.38 (416) | | 21.34 (542) | 8.82 (224) | 13.86 (352) | 18.90 (480) |
| C3832-C26P | 25.59 (650) | 26.00 (660) | 27.00 (686) | 8.82 (224) | | 16.38 (416) | 21.42 (544) | 23.31 (592) | 8.82 (224) | 13.86 (352) | 21.42 (544) |
| C3832-C28P | 27.56 (700) | 28.00 (711) | 29.00 (737) | 8.82 (224) | 11.34 (288) | 16.38 (416) | 21.42 (544) | 25.28 (642) | 8.82 (224) | 13.86 (352) | 21.42 (544) |

‡ A lateral file drawer is wider than it is deep
[†] Not available on 3834-22
^{*} Load rating based on 18" slides mounted in a 16" wide drawer cycled 50,000 times.
[■] Clear and white finishes are RoHS compliant.



Material: Cold rolled steel
Finish: Zinc plate

Note: Load rating will decrease with slide length. Ratings are for reference only.

DRAWER SLIDES, STEEL - STANDARD WEIGHT

DRAWER SLIDES

STEEL - STANDARD WEIGHT



STEEL, FULL EXTENSION SLIDE
150 lbs/pair @ 18" LENGTH

- 1" over travel.
- .50 side space.
- Non-disconnect.
- Lockout version available.
- Lock-in and lockout version available.

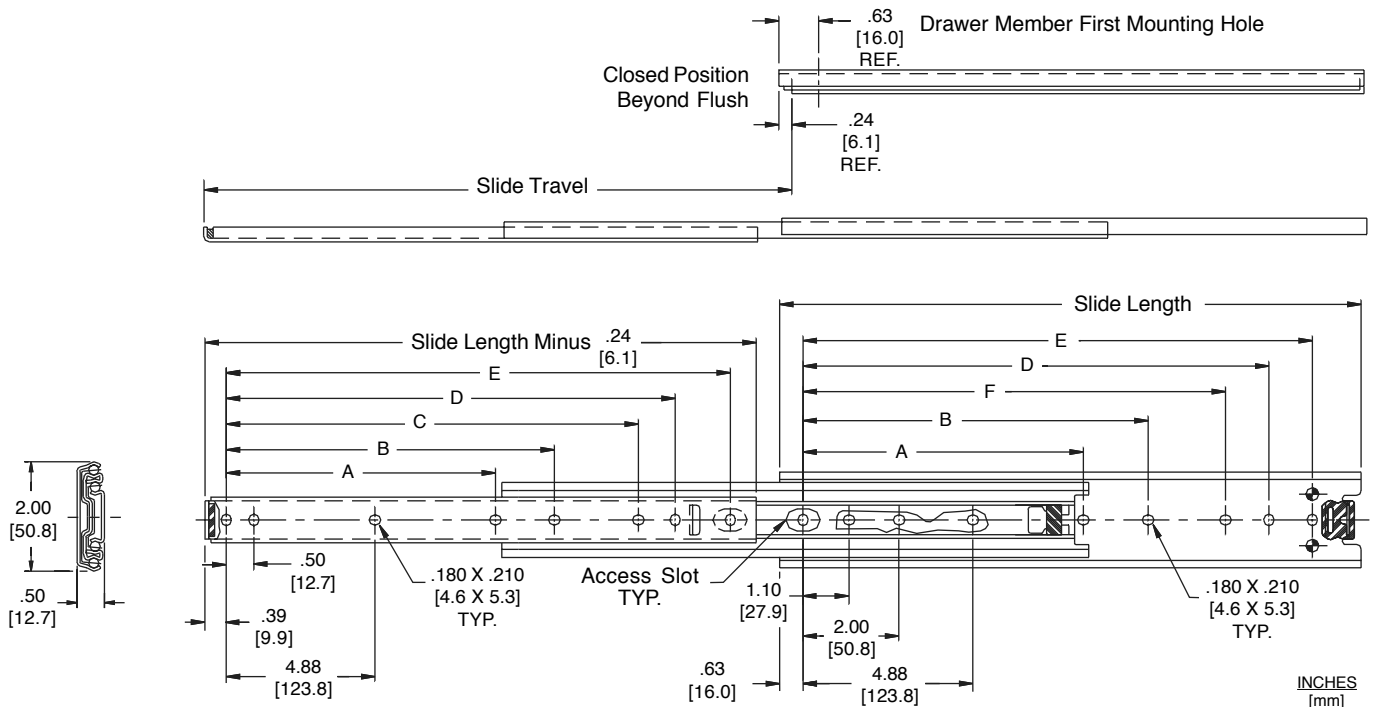


Material: Cold rolled steel
Finish: Zinc plate

| PART NUMBER | Slide Length | Slide Travel | Load Rating lbs (kg) per Pair | A | B | C | D | E | F |
|-------------|--------------|--------------|-------------------------------|---------------|---------------|---------------|---------------|---------------|---------------|
| C3301-12P | 12.00 (305) | 13.00 (330) | 150 (68.2) | | 6.38 (162.1) | 8.75 (222.3) | 9.25 (235.0) | 10.25 (260.3) | 8.25 (209.6) |
| C3301-14P | 14.00 (356) | 15.00 (381) | 148 (67.3) | | 8.38 (212.8) | 10.75 (273.1) | 11.25 (285.8) | 12.25 (311.2) | 10.25 (260.3) |
| C3301-16P | 16.00 (406) | 17.00 (432) | 147 (66.8) | | 10.35 (263.6) | 12.75 (323.9) | 13.25 (336.8) | 14.26 (361.9) | 12.25 (311.2) |
| C3301-18P | 18.00 (457) | 19.00 (483) | 146 (66.4) | 8.38 (212.8) | 12.38 (314.4) | 14.75 (374.7) | 15.25 (387.4) | 16.25 (412.7) | 14.26 (361.9) |
| C3301-20P | 20.00 (508) | 21.00 (533) | 145 (65.9) | 9.38 (238.2) | 14.38 (365.2) | 16.75 (425.5) | 17.25 (438.2) | 18.25 (463.5) | 16.25 (412.7) |
| C3301-22P | 22.00 (559) | 23.00 (584) | 140 (63.6) | 10.38 (263.6) | 16.38 (416.0) | 18.75 (476.3) | 19.25 (489.0) | 20.25 (514.3) | 18.25 (463.5) |
| C3301-24P | 24.00 (610) | 25.00 (635) | 135 (61.4) | 11.38 (289.1) | 18.38 (466.8) | 20.75 (527.1) | 21.25 (539.8) | 22.25 (565.1) | 20.25 (514.3) |
| C3301-26P | 26.00 (660) | 27.00 (686) | 127 (57.7) | 12.38 (314.4) | 20.38 (517.6) | 22.75 (577.9) | 23.25 (590.6) | 24.25 (615.9) | 22.25 (565.1) |
| C3301-28P | 28.00 (711) | 29.00 (737) | 120 (54.5) | 13.38 (339.8) | 22.38 (568.4) | 24.75 (628.7) | 25.25 (641.4) | 26.25 (666.7) | 24.25 (615.9) |

*Load rating based on a 16" wide drawer cycled 10,000 times.

Note: Load rating will decrease with slide length. Ratings are for reference only.



DRAWER SLIDES, STEEL - STANDARD WEIGHT

DRAWER SLIDES

STAINLESS STEEL - STANDARD WEIGHT

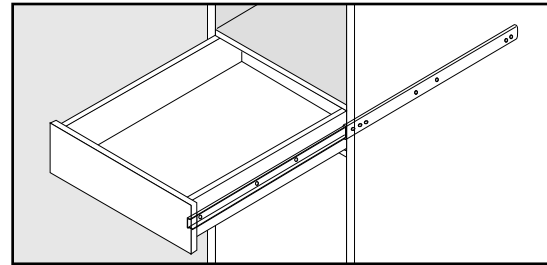
- Retainer disconnect – easy assembly.
- Friction brake stop.
- Non-handed.

STAINLESS 3/4 EXTENSION SLIDE
90 lbs/pair @ 18" LENGTH

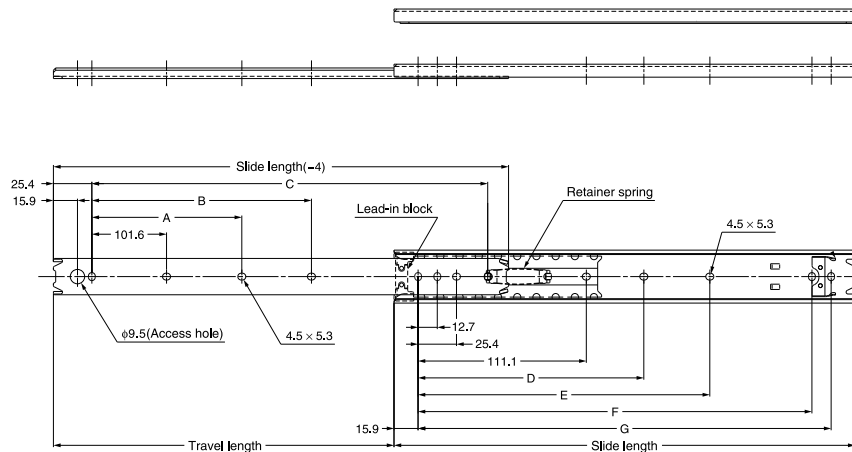
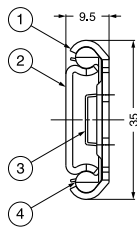


APPLICATION ENVIRONMENTS:

- Machine cabinets
- Truck tool boxes
- Medical carts
- Food warming drawers



| PART NUMBER | Slide Length | Travel Length | A | B | C | D | E | F | G |
|-------------|------------------|------------------|------------------|------------------|------------------|------------------|------------------|------------------|------------------|
| ESR-1-12 | 304.8mm (12.00") | 228.6mm (9.00") | - | 152.4mm (6.00") | 254.0mm (10.00") | - | 149.2mm (5.87") | 260.3mm (10.25") | 273.0mm (10.75") |
| ESR-1-14 | 355.6mm (14.00") | 279.4mm (11.00") | - | 203.2mm (8.00") | 304.8mm (12.00") | - | 200.00mm (7.87") | 311.1mm (12.25") | 323.8mm (12.75") |
| ESR-1-16 | 406.4mm (16.00") | 304.8mm (12.00") | - | 254.0mm (10.00") | 355.6mm (14.00") | - | 250.8mm (9.87") | 361.9mm (14.25") | 374.6mm (14.75") |
| ESR-1-18 | 457.2mm (18.00") | 330.2mm (13.00") | 203.2mm (8.00") | 304.8mm (12.00") | 406.4mm (16.00") | 212.7mm (8.37") | 301.6mm (11.87") | 412.7mm (16.25") | 425.4mm (16.75") |
| ESR-1-20 | 508.0mm (20.00") | 381.0mm (15.00") | 228.6mm (9.00") | 355.6mm (14.00") | 457.2mm (18.00") | 238.1mm (9.37") | 352.4mm (13.87") | 463.5mm (18.25") | 476.2mm (18.75") |
| ESR-1-22 | 558.8mm (22.00") | 406.4mm (16.00") | 254.0mm (10.00") | 406.4mm (16.00") | 508.0mm (20.00") | 263.5mm (10.37") | 403.2mm (15.87") | 514.3mm (20.25") | 527.0mm (20.75") |
| ESR-1-24 | 609.6mm (24.00") | 431.8mm (17.00") | 279.4mm (11.00") | 457.2mm (18.00") | 558.8mm (22.00") | 288.9mm (11.37") | 454.0mm (17.87") | 565.1mm (22.25") | 577.8mm (22.75") |
| ESR-1-26 | 660.4mm (26.00") | 482.6mm (19.00") | 304.8mm (12.00") | 508.0mm (20.00") | 609.6mm (24.00") | 314.3mm (12.37") | 504.8mm (19.87") | 615.9mm (24.25") | 628.6mm (24.75") |
| ESR-1-28 | 711.2mm (28.00") | 508.0mm (20.00") | 330.2mm (13.00") | 558.8mm (22.00") | 660.4mm (26.00") | 339.7mm (13.37") | 555.6mm (21.87") | 666.7mm (26.25") | 679.4mm (26.75") |



| Ref. # | Part | Material |
|--------|------------|------------------------|
| 1 | Outer rail | 304 stainless steel BA |
| 2 | Inner rail | |
| 3 | Retainer | 304 Stainless steel |
| 4 | Balls | |

Note: Load rating will decrease with slide length. Ratings are for reference only.

MOUNTS WITH: M4 or # 8 bind or truss head screws (not included)

DRAWER SLIDES, STAINLESS STEEL - STANDARD WEIGHT

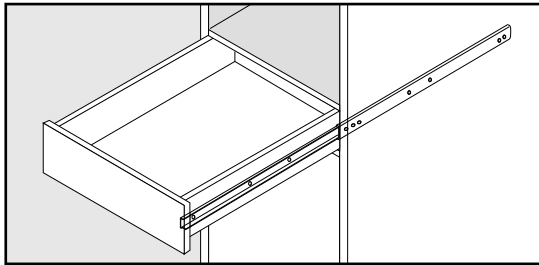
DRAWER SLIDES

STAINLESS STEEL - STANDARD WEIGHT

STAINLESS, FULL EXTENSION SLIDE
150 lbs/pair @ 18" LENGTH



- Slight overtravel (9/16").
- Positive stop.
- Non-handed.
- Does not disconnect.

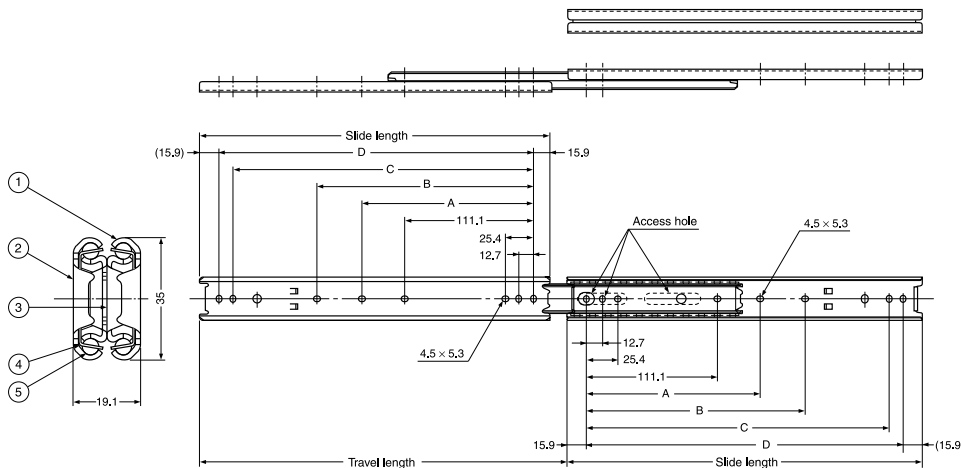


APPLICATION ENVIRONMENTS:

- Electronic racks
- Tool boxes
- Battery trays
- Equipment shelves

| PART NUMBER | Slide Length | Travel Length | A | B | C | D |
|-------------|------------------|-------------------|------------------|------------------|------------------|------------------|
| ESR-6-12 | 304.8mm (12.00") | 319.00mm (12.56") | - | 149.2mm (5.87") | 260.3mm (10.25") | 273.0mm (10.75") |
| ESR-6-14 | 355.6mm (14.00") | 369.8mm (14.56") | - | 200.0mm (7.87") | 311.1mm (12.25") | 323.8mm (12.75") |
| ESR-6-16 | 406.4mm (16.00") | 420.6mm (16.56") | - | 250.8mm (9.87") | 361.9mm (14.25") | 374.6mm (14.75") |
| ESR-6-18 | 457.2mm (18.00") | 471.4mm (18.56") | 212.7mm (8.37") | 301.6mm (11.87") | 412.7mm (16.25") | 425.4mm (16.75") |
| ESR-6-20 | 508.0mm (20.00") | 522.2mm (20.56") | 238.1mm (9.37") | 352.4mm (13.87") | 463.5mm (18.25") | 476.2mm (18.75") |
| ESR-6-22 | 558.8mm (22.00") | 573.0mm (22.56") | 263.5mm (10.37") | 403.2mm (15.87") | 514.3mm (20.25") | 527.0mm (20.75") |
| ESR-6-24 | 609.6mm (24.00") | 623.8mm (24.56") | 288.9mm (11.37") | 454.0mm (17.87") | 565.1mm (22.25") | 577.8mm (22.75") |
| ESR-6-26 | 660.4mm (26.00") | 674.6mm (26.56") | 314.3mm (12.37") | 504.8mm (19.87") | 615.9mm (24.25") | 628.6mm (24.75") |
| ESR-6-28 | 711.2mm (28.00") | 725.4mm (28.56") | 339.7mm (13.37") | 555.6mm (21.87") | 666.7mm (26.25") | 679.4mm (26.75") |

MOUNTS WITH:
M4 or # 8 bind or
truss head screws
(not included)



Note: Load rating will decrease with slide length. Ratings are for reference only.

| Ref. # | Part | Material |
|--------|-------------|------------------------|
| 1 | outer rail | 304 stainless steel BA |
| 2 | inner rail | |
| 3 | middle rail | |
| 4 | retainer | |
| 5 | balls | 304 Stainless steel |

DRAWER SLIDES, STAINLESS STEEL - STANDARD WEIGHT

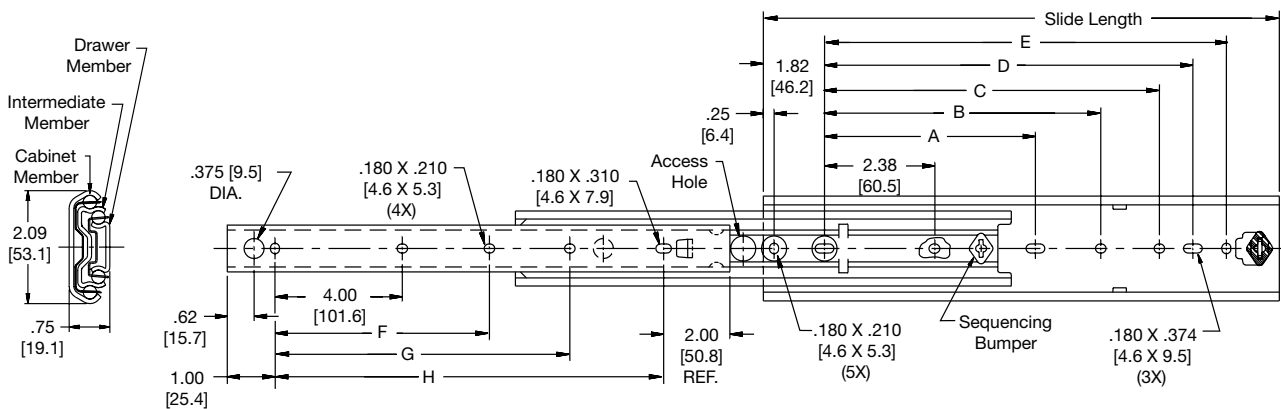
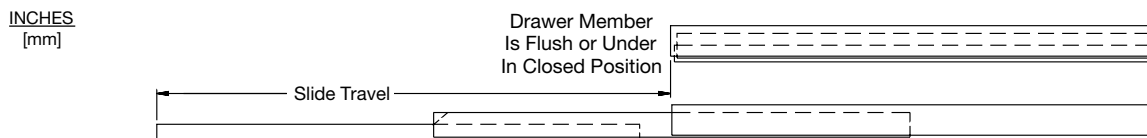
- 1" overtravel.
- Hold close feature prevents bounce back.
- Non-handed.

**STEEL, FULL EXTENSION SLIDE
250 lbs/pair @ 18" LENGTH**

Material: Cold rolled steel
Finish: Zinc plate



| PART NUMBER | Slide Length | Slide Travel | Load Rating lbs (kg) per Pair | A | B | C | D | E | F | G | H |
|-------------|---------------|---------------|-------------------------------|---------------|---------------|---------------|---------------|---------------|---------------|---------------|---------------|
| C3601-12P | 12.00 (304.8) | 13.00 (330.2) | 255 (116) | - | 5.33 (135.4) | 7.05 (179.1) | 8.05 (204.5) | 9.05 (229.9) | | 6.13 (155.6) | 9.00 (228.6) |
| C3601-14P | 14.00 (355.6) | 15.00 (381.0) | 248 (112) | - | 7.33 (186.2) | 9.05 (229.9) | 10.05 (255.3) | 11.05 (280.7) | | 8.13 (206.4) | 11.00 (279.4) |
| C3601-16P | 16.00 (406.4) | 17.00 (431.8) | 241 (109) | - | 9.33 (237.0) | 11.05 (280.7) | 12.05 (306.1) | 13.05 (331.5) | | 10.13 (257.2) | 13.00 (330.2) |
| C3601-18P | 18.00 (457.2) | 19.00 (482.6) | 234 (106) | 7.50 (190.5) | 11.33 (287.8) | 13.05 (331.5) | 14.05 (356.9) | 15.05 (382.3) | | 12.13 (308.0) | 15.00 (381.0) |
| C3601-20P | 20.00 (508.0) | 21.00 (533.4) | 225 (102) | 8.50 (215.9) | 13.33 (338.6) | 15.05 (382.3) | 16.05 (407.7) | 17.05 (433.1) | 8.00 (203.2) | 14.13 (358.8) | 17.00 (431.8) |
| C3601-22P | 22.00 (558.8) | 23.00 (584.2) | 215 (98) | 9.50 (241.3) | 15.33 (389.4) | 17.05 (433.1) | 18.05 (458.5) | 19.05 (483.9) | 9.00 (228.6) | 16.13 (409.6) | 19.00 (482.6) |
| C3601-24P | 24.00 (619.6) | 25.00 (635.0) | 203 (92) | 10.50 (266.7) | 17.33 (440.2) | 19.05 (483.9) | 20.05 (509.3) | 21.05 (534.7) | 10.00 (254.0) | 18.13 (460.4) | 21.00 (533.4) |
| C3601-26P | 26.00 (660.4) | 27.00 (685.8) | 188 (85) | 11.5 (292.1) | 19.33 (491.0) | 21.05 (534.7) | 22.05 (560.1) | 23.05 (585.5) | 11.00 (279.4) | 20.13 (511.2) | 23.00 (584.2) |
| C3601-28P | 28.00 (711.2) | 29.00 (736.6) | 169 (77) | 12.50 (317.5) | 21.33 (541.8) | 23.05 (585.5) | 24.05 (610.9) | 25.05 (636.6) | 12.00 (304.8) | 22.13 (562.0) | 25.00 (653.0) |



Note: Load rating will decrease with slide length. Ratings are for reference only.

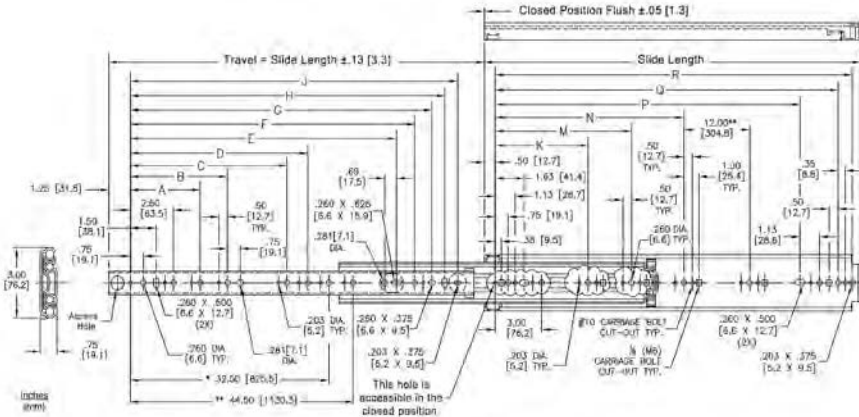
DRAWER SLIDES

STEEL - HEAVYWEIGHT



STEEL, FULL EXTENSION SLIDE
500 lbs/pair @ 18" LENGTH

- Full extension.
- .75" side space.
- Silenced movement.
- Lockout version available.
- Lock-in and lockout version available.



Material: Cold rolled steel
Finish: Zinc plate

Note: Load rating will decrease with slide length. Ratings are for reference only.

| PART NUMBER | Slide Length | Slide Travel | A | B | C | D | E | F | G | H | J | K | M | N | P | Q | R |
|-------------|----------------|----------------|--------------|--------------|---------------|---------------|----------------|----------------|----------------|----------------|----------------|--------------|---------------|---------------|----------------|----------------|----------------|
| C9301-10P | 10.00 (254.0) | 10.00 (254.0) | | | | | | 4.06 (103.1) | 5.06 (128.5) | 5.81 (147.6) | 6.56 (166.6) | | | | 6.00 (152.4) | 8.25 (209.6) | 9.00 (228.6) |
| C9301-12P | 12.00 (304.8) | 12.00 (304.8) | | | | | | 6.06 (153.9) | 7.06 (179.3) | 7.81 (198.4) | 8.56 (217.4) | | | | 8.00 (203.2) | 10.25 (260.4) | 11.00 (279.4) |
| C9301-14P | 14.00 (355.6) | 14.00 (355.6) | | | | | | 8.06 (204.7) | 9.06 (230.1) | 9.81 (249.2) | 10.56 (268.2) | | | | 10.00 (254.0) | 12.25 (311.2) | 13.00 (330.2) |
| C9301-16P | 16.00 (406.4) | 16.00 (406.4) | 5.00 (127.0) | | | | | 10.06 (255.5) | 11.06 (280.9) | 11.81 (299.9) | 12.56 (319.0) | | | | 12.00 (304.8) | 14.25 (361.9) | 15.00 (381.0) |
| C9301-18P | 18.00 (457.2) | 18.00 (457.2) | 5.00 (127.0) | | | | 9.69 (246.1) | 12.06 (306.3) | 13.06 (331.7) | 13.81 (350.8) | 14.56 (369.8) | | | | 14.00 (355.6) | 16.25 (412.8) | 17.00 (431.8) |
| C9301-20P | 20.00 (508.0) | 20.00 (508.0) | 5.00 (127.0) | 7.50 (190.5) | | | 11.69 (296.9) | 14.06 (357.1) | 15.06 (382.5) | 15.81 (401.6) | 16.56 (420.6) | | | | 16.00 (406.4) | 18.25 (463.6) | 19.00 (482.6) |
| C9301-22P | 22.00 (558.8) | 22.00 (558.8) | 5.00 (127.0) | 7.50 (190.5) | | | 13.69 (347.7) | 16.06 (407.9) | 17.06 (433.3) | 17.81 (452.4) | 18.56 (471.4) | | | | 18.00 (457.2) | 20.25 (514.4) | 21.00 (533.4) |
| C9301-24P | 24.00 (619.6) | 24.00 (619.6) | 5.00 (127.0) | 7.50 (190.5) | | | 15.69 (398.5) | 18.06 (458.7) | 19.06 (484.1) | 19.81 (503.2) | 20.56 (522.2) | | | | 20.00 (508.0) | 22.25 (565.2) | 23.00 (584.2) |
| C9301-26P | 26.00 (660.4) | 26.00 (660.4) | 5.00 (127.0) | 7.50 (190.5) | | | 17.69 (449.3) | 20.06 (509.5) | 21.06 (534.9) | 21.81 (553.9) | 22.56 (573.0) | | | | 22.00 (558.8) | 24.25 (615.9) | 25.00 (635.0) |
| C9301-28P | 28.00 (711.2) | 28.00 (711.2) | 5.00 (127.0) | 7.50 (190.5) | | | 19.69 (500.1) | 22.06 (560.3) | 23.06 (585.7) | 23.81 (604.8) | 24.56 (623.8) | | | | 24.00 (609.6) | 26.25 (666.8) | 27.00 (685.8) |
| C9301-30P | 30.00 (762.0) | 30.00 (762.0) | 5.00 (127.0) | 7.50 (190.5) | 14.50 (368.3) | | 21.69 (550.9) | 24.06 (611.1) | 25.06 (636.5) | 25.81 (655.6) | 26.56 (674.6) | 9.25 (234.9) | | 19.75 (501.6) | 26.00 (660.4) | 28.25 (717.6) | 29.00 (736.6) |
| C9301-32P | 32.00 (812.8) | 32.00 (812.8) | 5.00 (127.0) | 7.50 (190.5) | 14.50 (368.3) | | 23.69 (601.7) | 26.06 (661.9) | 27.06 (687.3) | 27.81 (706.4) | 28.56 (725.4) | 9.25 (234.9) | 15.50 (393.7) | 21.75 (552.5) | 28.00 (711.2) | 30.25 (768.4) | 31.00 (787.4) |
| C9301-34P | 34.00 (863.6) | 34.00 (863.6) | 5.00 (127.0) | 7.50 (190.5) | 14.50 (368.3) | 18.50 (469.9) | 25.69 (652.5) | 28.06 (712.7) | 29.06 (738.1) | 29.81 (757.2) | 30.56 (776.2) | 9.25 (234.9) | 16.50 (419.1) | 23.75 (603.3) | 30.00 (762.0) | 32.25 (819.2) | 33.00 (838.2) |
| C9301-36P | 36.00 (914.4) | 36.00 (914.4) | 5.00 (127.0) | 7.50 (190.5) | 14.50 (368.3) | 20.50 (520.7) | 27.69 (703.3) | 30.06 (763.5) | 31.06 (788.9) | 31.81 (807.9) | 32.56 (827.0) | 9.25 (234.9) | 17.50 (444.5) | 25.75 (654.1) | 32.00 (812.8) | 34.25 (870.0) | 35.00 (889.0) |
| C9301-40P | 40.00 (1016.0) | 40.00 (1016.0) | 5.00 (127.0) | 7.50 (190.5) | 14.50 (368.3) | 20.50 (520.7) | 31.69 (804.9) | 34.06 (865.1) | 35.06 (890.5) | 35.81 (909.6) | 36.56 (928.6) | 9.25 (234.9) | 21.50 (546.1) | 29.75 (755.7) | 36.00 (914.4) | 38.25 (971.6) | 39.00 (990.6) |
| C9301-42P | 42.00 (1066.8) | 42.00 (1066.8) | 5.00 (127.0) | 7.50 (190.5) | 14.50 (368.3) | 20.50 (520.7) | 33.69 (855.7) | 36.06 (915.9) | 37.06 (941.3) | 37.81 (960.4) | 38.56 (979.4) | 9.25 (234.9) | 21.50 (546.1) | 31.75 (806.5) | 38.00 (965.2) | 40.25 (1022.4) | 41.00 (1041.4) |
| C9301-44P | 44.00 (1117.6) | 44.00 (1117.6) | 5.00 (127.0) | 7.50 (190.5) | 14.50 (368.3) | 20.50 (520.7) | 35.69 (906.5) | 38.06 (966.7) | 39.06 (992.1) | 39.81 (1011.2) | 40.56 (1030.2) | 9.25 (234.9) | 21.50 (546.1) | 33.75 (857.3) | 40.00 (1016.0) | 42.25 (1073.2) | 43.00 (1092.2) |
| C9301-48P | 48.00 (1219.2) | 48.00 (1219.2) | 5.00 (127.0) | 7.50 (190.5) | 14.50 (368.3) | 20.50 (520.7) | 39.69 (1008.1) | 42.06 (1068.3) | 43.06 (1093.7) | 43.81 (1112.8) | 44.56 (1131.8) | 9.25 (234.9) | 23.50 (596.9) | 37.75 (958.9) | 44.00 (1117.6) | 46.25 (1174.8) | 47.00 (1193.8) |
| C9301-60P | 60.00 (1524.0) | 60.00 (1524.0) | 5.00 (127.0) | 7.50 (190.5) | 14.50 (368.3) | 20.50 (520.7) | 51.69 (1312.9) | 54.06 (1373.1) | 55.06 (1398.5) | 55.81 (1417.6) | 56.56 (1436.6) | 9.25 (234.9) | 23.50 (596.9) | 37.75 (958.9) | 56.00 (1422.4) | 58.25 (1479.6) | 59.00 (1498.6) |

DRAWER SLIDES, STEEL - HEAVYWEIGHT

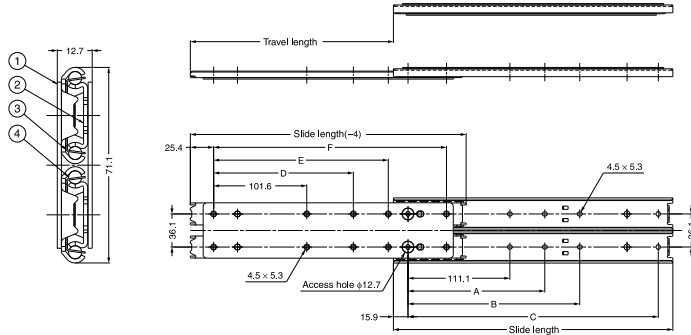
DRAWER SLIDES

STAINLESS - HEAVYWEIGHT

- Positive stop.
- Non-handed.
- Heavy duty.

| Ref. # | Part | Material |
|--------|------------|------------------------|
| 1 | Outer rail | 304 stainless steel BA |
| 2 | Inner rail | |
| 3 | Retainer | |
| 4 | Balls | 304 Stainless steel |

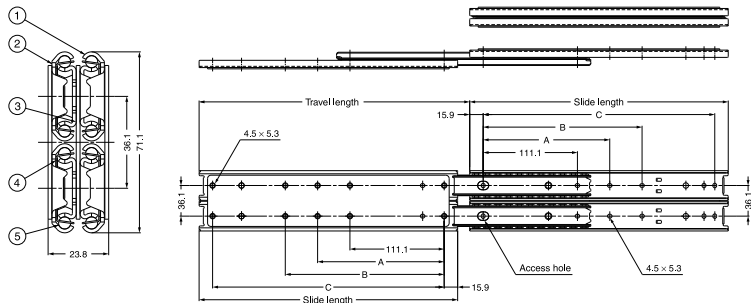
STAINLESS STEEL, 3/4 EXTENSION DOUBLE RAIL SLIDE
225 lbs/pair @ 18" LENGTH



| PART NUMBER | Slide Length | Travel Length | A | B | C | D | E | F |
|-------------|------------------|------------------|------------------|------------------|------------------|------------------|------------------|------------------|
| ESR-5-12 | 304.8mm (12.00") | 221.5mm (8.72") | - | 149.2mm (5.87") | 273.0mm (10.75") | - | 152.4mm (6.00") | 254.0mm (10.00") |
| ESR-5-14 | 355.6mm (14.00") | 259.6mm (10.22") | - | 200.0mm (7.87") | 323.8mm (12.75") | - | 203.2mm (8.00") | 304.8mm (12.00") |
| ESR-5-16 | 406.4mm (16.00") | 297.7mm (11.72") | - | 250.8mm (9.87") | 374.6mm (14.75") | - | 254.0mm (10.00") | 355.6mm (14.00") |
| ESR-5-18 | 457.2mm (18.00") | 348.5mm (13.72") | 212.7mm (8.37") | 301.6mm (11.87") | 425.4mm (16.75") | 203.2mm (8.00") | 304.8mm (12.00") | 406.4mm (16.00") |
| ESR-5-20 | 508.0mm (20.00") | 361.2mm (14.22") | 238.1mm (9.37") | 352.4mm (13.87") | 476.2mm (18.75") | 228.6mm (9.00") | 355.6mm (14.00") | 457.2mm (18.00") |
| ESR-5-22 | 558.8mm (22.00") | 424.7mm (16.72") | 263.5mm (10.37") | 403.2mm (15.87") | 527.0mm (20.75") | 254.0mm (10.00") | 406.4mm (16.00") | 508.0mm (20.00") |
| ESR-5-24 | 609.6mm (24.00") | 450.1mm (17.72") | 288.9mm (11.37") | 454.0mm (17.87") | 577.8mm (22.75") | 279.4mm (11.00") | 457.2mm (18.00") | 558.8mm (22.00") |
| ESR-5-26 | 660.4mm (26.00") | 462.8mm (18.22") | 314.3mm (12.37") | 504.8mm (19.87") | 628.6mm (24.75") | 304.8mm (12.00") | 508.0mm (20.00") | 609.6mm (24.00") |
| ESR-5-28 | 711.2mm (28.00") | 500.9mm (19.72") | 339.7mm (13.37") | 555.6mm (21.87") | 679.4mm (26.75") | 330.2mm (13.00") | 558.8mm (22.00") | 660.4mm (26.00") |

- Positive stop.
- Non-handed.
- Heavy duty.

STAINLESS, FULL EXTENSION DOUBLE RAIL SLIDE
550 lbs/pair @ 18" LENGTH



| Ref. # | Part | Material |
|--------|-------------|------------------------|
| 1 | Outer rail | 304 stainless steel BA |
| 2 | Inner rail | |
| 3 | Middle rail | |
| 4 | Retainer | 304 Stainless steel |
| 5 | Balls | |

| PART NUMBER | Slide Length | Travel Length | A | B | C |
|-------------|------------------|------------------|------------------|------------------|------------------|
| ESR-10-12 | 304.8mm (12.00") | 319.0mm (12.56") | - | 149.2mm (5.87") | 273.0mm (10.75") |
| ESR-10-14 | 355.6mm (14.00") | 369.8mm (14.56") | - | 200.0mm (7.87") | 323.8mm (12.75") |
| ESR-10-16 | 406.4mm (16.00") | 420.6mm (16.56") | - | 250.8mm (9.87") | 374.6mm (14.75") |
| ESR-10-18 | 457.2mm (18.00") | 471.4mm (18.56") | 212.7mm (8.37") | 301.6mm (11.87") | 425.4mm (16.75") |
| ESR-10-20 | 508.0mm (20.00") | 522.2mm (20.56") | 238.1mm (9.37") | 352.4mm (13.87") | 476.2mm (18.75") |
| ESR-10-22 | 558.8mm (22.00") | 573.0mm (22.56") | 263.5mm (10.37") | 403.2mm (15.87") | 527.0mm (20.75") |
| ESR-10-24 | 609.6mm (24.00") | 623.8mm (24.56") | 288.9mm (11.37") | 454.0mm (17.87") | 577.8mm (22.75") |
| ESR-10-26 | 660.4mm (26.00") | 674.6mm (26.56") | 314.3mm (12.37") | 504.8mm (19.87") | 628.6mm (24.75") |
| ESR-10-28 | 711.2mm (28.00") | 725.4mm (28.56") | 339.7mm (13.37") | 555.6mm (21.87") | 679.4mm (26.75") |

Note: Load rating will decrease with slide length.
 Ratings are for reference only.

DRAWER SLIDES, STAINLESS - HEAVYWEIGHT

DRAWER SLIDES

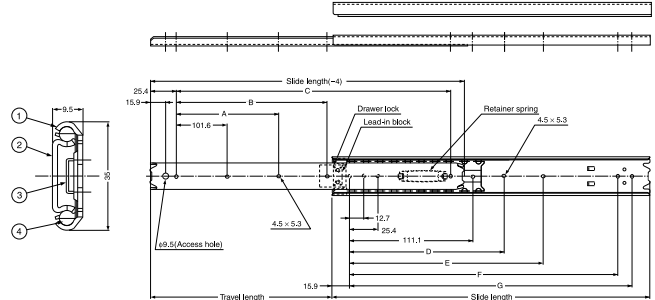
SPECIAL FEATURE SLIDES – LOCKS IN EXTENSION

STAINLESS, 3/4 EXTENSION LOCKING SLIDE 90 lbs/pair @ 18" LENGTH



| Ref. # | Part | Material |
|--------|------------|------------------------|
| 1 | Outer rail | 304 stainless steel BA |
| 2 | Inner rail | |
| 3 | Retainer | |
| 4 | Balls | 304 Stainless steel |

- Positive lock in extension.
- Front disconnect – easy assembly.



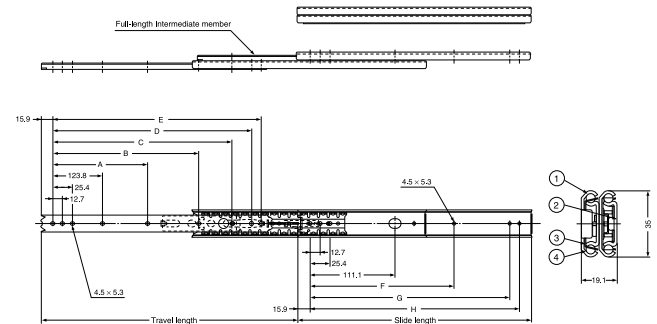
| PART NUMBER | Slide Length | Travel Length | A | B | C | D | E | F | G |
|-------------|------------------|------------------|------------------|------------------|------------------|------------------|------------------|------------------|------------------|
| ESR-8-12 | 304.8mm (12.00") | 228.6mm (9.00") | - | 152.4mm (6.00") | 254.0mm (10.00") | - | 149.2mm (5.87") | 260.3mm (10.25") | 273.0mm (10.75") |
| ESR-8-14 | 355.6mm (14.00") | 279.4mm (11.00") | - | 203.2mm (8.00") | 304.8mm (12.00") | - | 200.0mm (7.87") | 311.1mm (12.25") | 323.8mm (12.75") |
| ESR-8-16 | 406.4mm (16.00") | 304.8mm (12.00") | - | 254.0mm (10.00") | 355.6mm (14.00") | - | 250.8mm (9.87") | 361.9mm (14.25") | 374.6mm (14.75") |
| ESR-8-18 | 457.2mm (18.00") | 330.2mm (13.00") | 203.2mm (8.00") | 304.8mm (12.00") | 406.4mm (16.00") | 212.7mm (8.37") | 301.6mm (11.87") | 412.7mm (16.25") | 425.4mm (16.75") |
| ESR-8-20 | 508.0mm (20.00") | 381.0mm (15.00") | 228.6mm (9.00") | 355.6mm (14.00") | 457.2mm (18.00") | 238.1mm (9.37") | 352.4mm (13.87") | 463.5mm (18.25") | 476.2mm (18.75") |
| ESR-8-22 | 558.8mm (22.00") | 406.4mm (16.00") | 254.0mm (10.00") | 406.4mm (16.00") | 508.0mm (20.00") | 263.5mm (10.37") | 403.2mm (15.87") | 514.3mm (20.25") | 527.0mm (20.75") |
| ESR-8-24 | 609.6mm (24.00") | 431.8mm (17.00") | 279.4mm (11.00") | 457.2mm (18.00") | 558.8mm (22.00") | 288.9mm (11.37") | 454.0mm (17.87") | 565.1mm (22.25") | 577.8mm (22.75") |
| ESR-8-26 | 660.4mm (26.00") | 482.6mm (19.00") | 304.8mm (12.00") | 508.0mm (20.00") | 609.6mm (24.00") | 314.3mm (12.37") | 504.8mm (19.87") | 615.9mm (24.25") | 628.6mm (24.75") |
| ESR-8-28 | 711.2mm (28.00") | 508.0mm (20.00") | 330.2mm (13.00") | 558.8mm (22.00") | 660.4mm (26.00") | 339.7mm (13.37") | 555.6mm (21.87") | 666.7mm (26.25") | 679.4mm (26.75") |

STAINLESS, FULL EXTENSION LOCKING SLIDE 115 lbs/pair @ 18" LENGTH



| Ref. # | Part | Material |
|--------|------------|------------------------|
| 1 | Outer rail | 304 stainless steel BA |
| 2 | Inner rail | |
| 3 | Retainer | |
| 4 | Balls | 304 Stainless steel |

- Positive lock in extension.
- Front disconnect – easy assembly.



| PART NUMBER | Slide Length | Travel Length | A | B | C | D | E | F | G | H |
|-------------|------------------|------------------|------------------|------------------|------------------|------------------|------------------|------------------|------------------|------------------|
| ESR-7-12 | 304.8mm (12.00") | 336.0mm (13.23") | - | - | - | 260.3mm (10.25") | 273.0mm (10.75") | - | 260.3mm (10.25") | 273.0mm (10.75") |
| ESR-7-14 | 355.6mm (14.00") | 386.8mm (15.23") | - | - | 298.4mm (11.75") | 311.1mm (12.25") | 323.8mm (12.75") | - | 311.1mm (12.25") | 323.8mm (12.75") |
| ESR-7-16 | 406.4mm (16.00") | 437.6mm (17.23") | - | - | 349.2mm (13.75") | 361.9mm (14.25") | 374.6mm (14.75") | 250.8mm (9.87") | 361.9mm (14.25") | 374.6mm (14.75") |
| ESR-7-18 | 457.2mm (18.00") | 488.4mm (19.23") | 212.7mm (8.37") | - | 400.0mm (15.75") | 412.7mm (16.25") | 425.4mm (16.75") | 301.6mm (11.87") | 412.7mm (16.25") | 425.4mm (16.75") |
| ESR-7-20 | 508.0mm (20.00") | 539.2mm (21.23") | 238.1mm (9.37") | 365.1mm (14.37") | 450.8mm (17.75") | 463.5mm (18.25") | 476.2mm (18.75") | 352.4mm (13.87") | 463.5mm (18.25") | 476.2mm (18.75") |
| ESR-7-22 | 558.8mm (22.00") | 590.0mm (23.23") | 263.5mm (10.37") | 415.9mm (16.37") | 501.6mm (19.75") | 514.3mm (20.25") | 527.0mm (20.75") | 403.2mm (15.87") | 514.3mm (20.25") | 527.0mm (20.75") |
| ESR-7-24 | 609.6mm (24.00") | 640.8mm (25.23") | 288.9mm (11.37") | 466.7mm (18.37") | 552.4mm (21.75") | 565.1mm (22.25") | 577.8mm (22.75") | 454.0mm (17.87") | 565.1mm (22.25") | 577.8mm (22.75") |
| ESR-7-26 | 660.4mm (26.00") | 691.6mm (27.23") | 314.3mm (12.37") | 517.5mm (20.37") | 603.2mm (23.75") | 615.9mm (24.25") | 628.6mm (24.75") | 504.8mm (19.87") | 615.9mm (24.25") | 628.6mm (24.75") |
| ESR-7-28 | 711.2mm (28.00") | 742.4mm (29.23") | 339.7mm (13.37") | 568.3mm (22.37") | 654.0mm (25.75") | 666.7mm (26.25") | 679.4mm (26.75") | 555.6mm (21.87") | 666.7mm (26.25") | 679.4mm (26.75") |

Note: Load rating will decrease with slide length. Ratings are for reference only.

DRAWER SLIDES

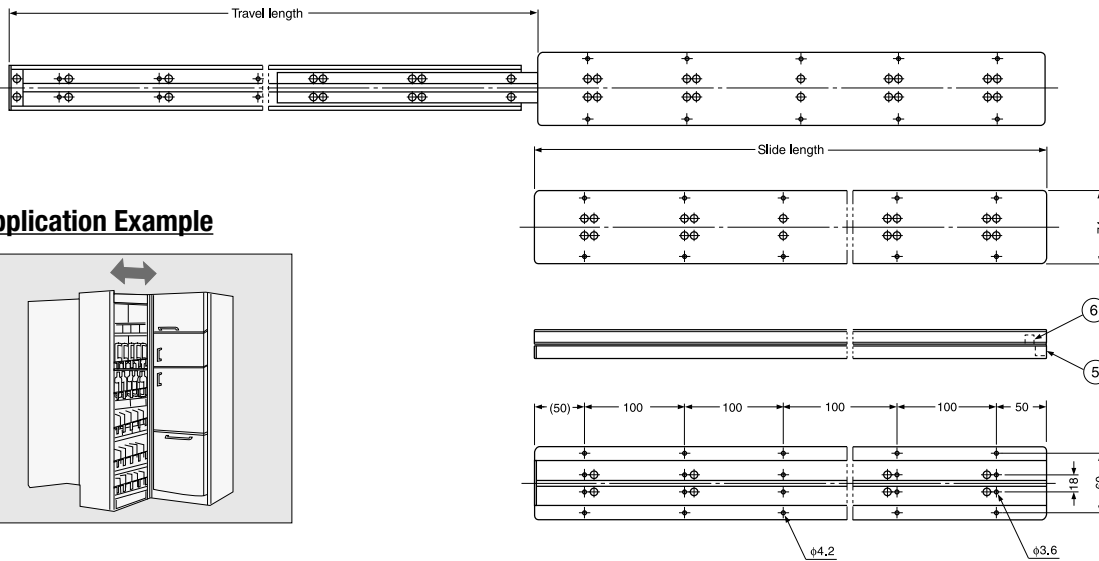
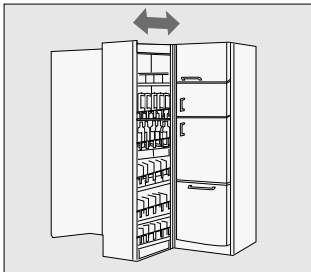
SPECIAL FEATURE SLIDES – HEAVY DUTY “FLOOR” MOUNT

- Carries loads from underneath.
- 1" plus of over travel.
- Positive stop.
- Non-handed.
- Heavy – duty.

STAINLESS, FULL EXTENSION FLOOR MOUNT SLIDE
187 lbs/pair @ 500 mm LENGTH

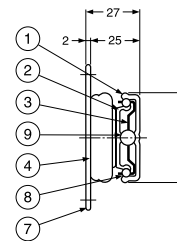


Application Example



| PART NUMBER | Slide Length | Travel Length | # of mounting holes | Load Rating (per pair) |
|-------------|------------------|------------------|---------------------|------------------------|
| TSS3-300 | 300 mm (11.81") | 336 mm (13.23") | 6 | 209 lbs. |
| TSS3-400 | 400 mm (15.75") | 436 mm (17.17") | 8 | 198 lbs. |
| TSS3-500 | 500 mm (19.69") | 536 mm (21.10") | 10 | 187 lbs. |
| TSS3-600 | 600 mm (23.62") | 636 mm (25.04") | 12 | 176 lbs. |
| TSS3-800 | 800 mm (31.50") | 836 mm (32.91") | 16 | 143 lbs. |
| TSS3-1000 | 1000 mm (39.37") | 1036 mm (40.78") | 20 | 110 lbs. |

| Ref. # | Part | Material |
|--------|-------------|------------------------|
| 1 | Outer rail | 304 stainless steel BA |
| 2 | Inner rail | |
| 3 | Retainer | |
| 4 | End stopper | Polyamide |
| 5 | Outer guide | Polyacetal |
| 6 | Inner guide | |
| 7 | Plate | 304 Stainless steel |
| 8 | Large balls | Steel |
| 9 | Small balls | |



SPECIAL FEATURE SLIDES – HEAVY DUTY “FLOOR” MOUNT