

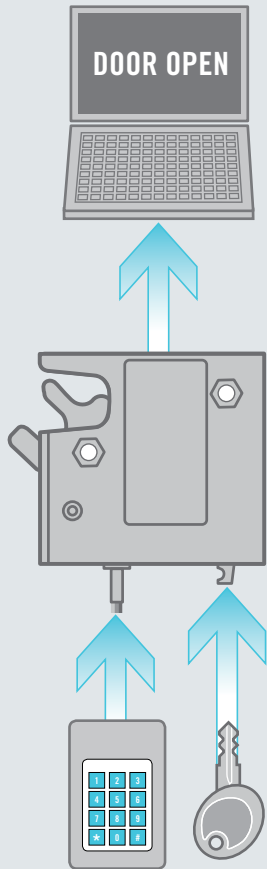


# R4-EM Electronic Rotary Latch

Electronic access

- Auto re-lock and delayed re-lock version
- Push-to-close, electronic release
- Versatile rotary mechanism
- Concealed latching
- Microprocessor control
- High strength
- Minimal power draw
- Simple mechanical over-ride
- Optional internal microswitch for latch open/close output signal

The R4-EM Electronic Rotary Latch provides a simple, versatile electromechanical latch solution for a variety of applications. Add a 12-24 Volt DC power supply and any access control device to the R4-EM for a secure, concealed electronic access solution. The optional internal microswitch provides an output signal to remotely monitor latch status or control external systems.



The efficient DC gear motor driven system releases the rotary cam under heavy loads with minimal power consumption.

The proven rotary mechanism provides push-to-close convenience and a secure closure.

Convenient mechanical over-ride feature for manual release in case of power failure. Contact Southco for manual release cables and mounting brackets.



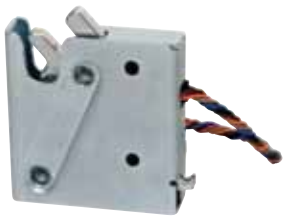
Other options available. For complete details on variety, part numbers, installation and specification, go to



[www.southco.com/R4-EM](http://www.southco.com/R4-EM)

Dimensions in millimeters (inch) unless otherwise stated

**southco**  
CONNECT · CREATE · INNOVATE



# R4-EM Electronic Rotary Latch

Electronic access

## Material & Finish

Mechanism

Housing: Steel, zinc plated

Cam, trigger: Steel, zinc plated

Springs: 300 Series stainless steel

Pins: Steel, zinc plated

Electronic Actuator:

Housing: PC/ABS

Cam / follower: Acetal

## Electrical Specifications

Recommended Operating Voltage:

12 to 24 Volt DC

Typical Operating Current (average

at no load): Less than 600mA at

12 VDC

Input Signal Current Draw: 25mA

MAX at 24 VDC

\*\*Optional microswitch closes upon

latch closure

Microswitch Rating: 3A MAX at

12VDC

## Wire Color Code / Connector

### Pin Assignment:

PIN 1: Brown: Ground (-)

PIN 2: Red: Power 8 to 26 Volts DC

PIN 3: Orange: Control Signal

8 to 26 Volts DC

PIN 4 Black: Microswitch Common

PIN 5 Blue: Microswitch N.O.

Contact

PIN 6 Grey: Microswitch N.C.

Contact

Wire Length: 150mm with connector,

430mm without connector

Contact Southco for mate connector

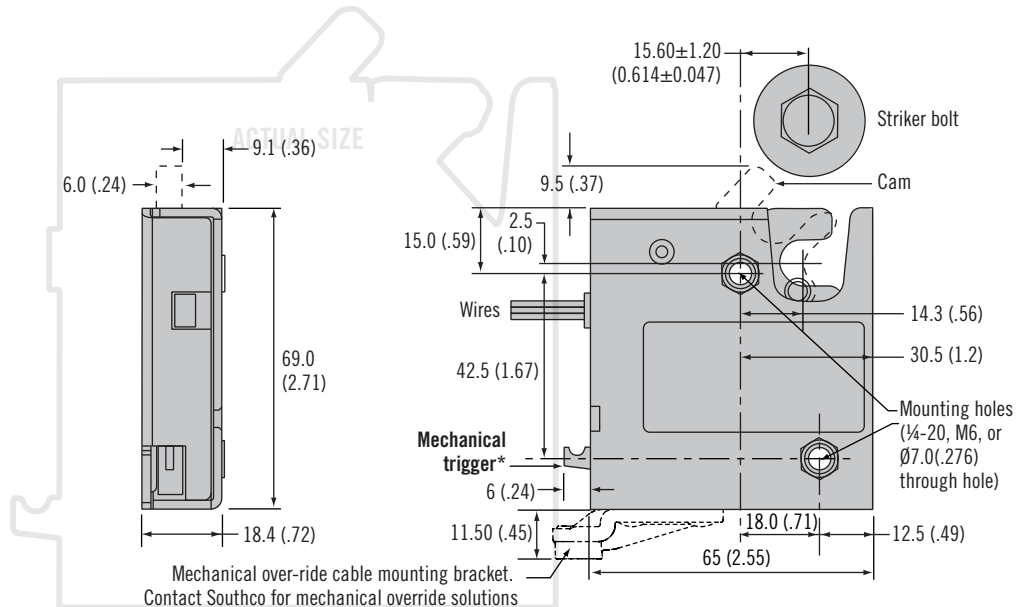
and wire harness

## Notes

For mechanical release actuators and cables contact Southco

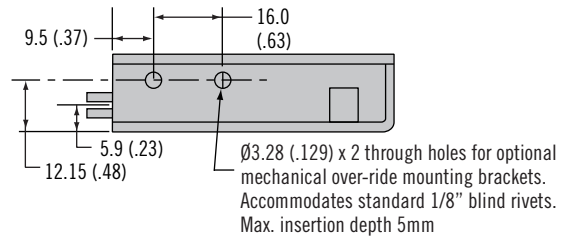
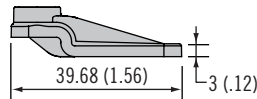
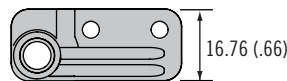
Parts are shipped individually boxed.

For bulk packaging add -1 to the end of the part number



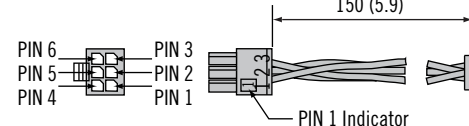
## Mounting Kit Rivets included

(Part Number R4-EM-52)

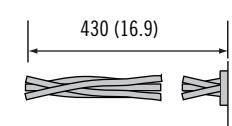


## Optional Latch Connector

Molex Microfit 3.0 series

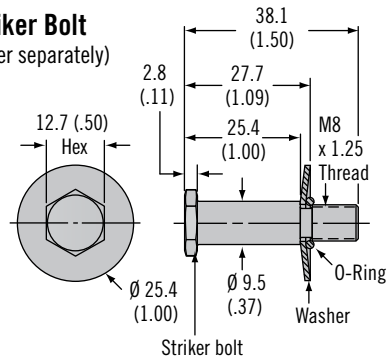


## Without connector



## Striker Bolt

(order separately)



R4EM Part Number				
Type	No Microswitch**		With Microswitch**	
	With connector	Without connector	With connector	Without connector
1/4 - 20 Threaded mounting	R4-EM-X1-131	R4-EM-X1-132	R4-EM-X1-161	R4-EM-X1-162
M6 Threaded mounting	R4-EM-X2-131	R4-EM-X2-132	R4-EM-X2-161	R4-EM-X2-162
Ø 7.0 (.27) Thru hole mounting	R4-EM-X3-131	R4-EM-X3-132	R4-EM-X3-161	R4-EM-X3-162
Striker Bolt Part Number				
Striker bolt	R4-90-121-10			

X=1 for Auto Re-lock version

X=2 for Delayed Re-lock version

Dimensions in millimeters (inch) unless otherwise stated

Other options available. For complete details on variety, part numbers, installation and specification, go to



[www.southco.com/R4-EM](http://www.southco.com/R4-EM)

**southco**  
CONNECT · CREATE · INNOVATE

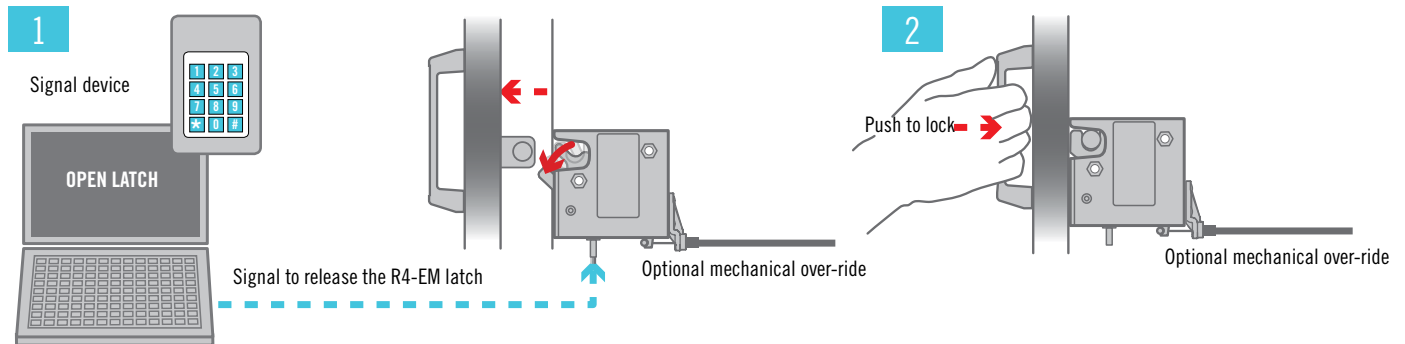
# R4-EM Electronic Rotary Latch

## Electronic access

### Operation

#### Auto Re-lock Version

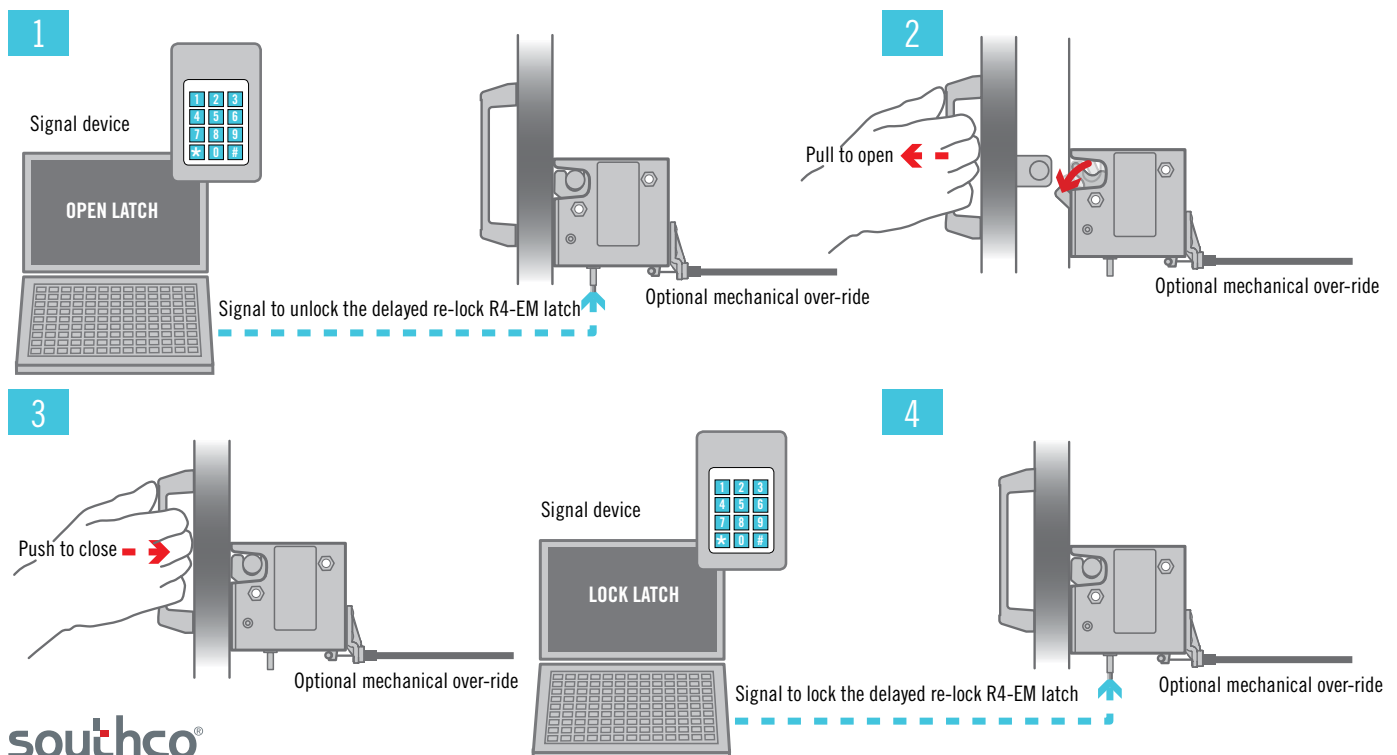
1. The signal momentarily unlocks and releases the spring loaded cam which rotates out to push a lightweight door open. The latch then immediately returns to the locked state ready to re-lock upon closing
2. Push door closed to engage striker with the R4-EM latch



#### Delayed Re-Lock Version

Use the Delayed re-lock version for heavier doors that will not kick open easily or where remote lock/unlock manual door opening is preferred over a pop open style.

1. The signal unlocks the R4-EM latch leaving a biased closed door in the closed position.
2. Manually pull door/striker free from R4-EM latch
3. Manually push door closed. Striker will rotate cam to closed position, however latch will remain unlocked and can be re-opened as long as signal is present
4. After accessing the door, the signal can be removed to re-lock the R4-EM. This can be done with the door in the open or closed position.





## The proven global leader in engineered access solutions

The advantage of 60 years of engineered access hardware and fastener experience lies in our cumulative applications knowledge and engineering expertise that make our broad range of existing solutions possible. In addition, our global manufacturing resources benefit OEMs and CEMs worldwide - no matter where they design, assemble, or sell. Southco offers flexibility and fast response:

- **Engineering assistance on your schedule.** Southco engineering resources in three key regions - North America, Europe, and Asia-Pacific - provide easy access to more than 150 design and sales engineers globally.
- **Quick turnaround, on your timetable.** 14 strategically located Southco manufacturing, assembly, and stocking facilities - in 8 countries across 4 continents - shorten lead times, lower shipping costs, and improve scheduling.
- **Extensive capabilities for your benefit.** In-house resources - stamping, die-casting, cold-heading, roll-forming, turning, injection-molding, and assembly - at Southco Centers of Excellence around the world transform raw stock into polished solutions.
- **Personal assistance, as you need it.** The 24/7 availability of experienced Southco personnel - regardless of geographic location - delivers the timely attention you require.

Whatever your access hardware needs, no one offers more. Contact a Southco representative today, to discover all the possibilities.



### Global Corporate Headquarters & Customer and Technical Support Center Concordville, PA · USA

Tel: (1) 610 459 4000  
Fax: (1) 610 459 4012

**Canada** Tel: (1) 905 855 0309  
**Mexico** Tel: (1) 877 821 0666

### Manufacturing & Stocking Locations

Chihuahua, Mexico  
Concordville, Pennsylvania  
Honeoye Falls, New York  
Tecate, Mexico  
Rockledge, Florida

### Europe Customer & Technical Support Center Worcester · UK

Tel: (44) (0) 1905 346722  
Fax: (44) (0) 1905 346723

**Austria** Tel: 0800 281 831  
**France** Tel: 0800 912 756  
**Germany** Tel: 0800 1800 380  
**Italy** Tel: 800 780 953  
**Spain** Tel: 900 968917  
**Sweden** Tel: 020 790 366  
**UK & NI** Tel: 0845 117 9222

### Manufacturing & Stocking Locations

Farnham, UK  
Worcester, UK

### Asia Customer & Technical Support Center Hong Kong · China

Tel: (852) 3127 1503 · Fax: (852) 3127 1541

**China** Tel: 800 820 0272  
**Japan** Tel: 00531 121672  
**Korea** Tel: 0505 777 1234  
**Malaysia** Tel: 1800 801 119  
**Singapore** Tel: 800 18 11016  
**Taiwan** Tel: 0800 558 015

### Australia Customer Service and Distribution Center Tullamarine · Victoria 3043 · Australia

Tel: (61) 03 9330-5000 · Fax: (61) 03 9330 - 5099

### India Customer Service and Technical Support Center Taluka Shirur · Pune 412208 · India

Tel: (91) (21) 3867 0538 · Fax: (91) (21) 3867 0588

### Manufacturing & Stocking Locations

Hong Kong, China      Shanghai, China  
Melbourne, Australia      Shenzhen, China  
Pune, India      Tokyo, Japan  
Seoul, South Kor